
General Specifications

Engine

Engine Type	4-stroke, Inline, 2-cylinder, DOHC, Liquid cooled,
Displacement	8-Valve
Bore x Stroke	498 cc
Compression Ratio	74.0 x 58.0 mm
Maximum Torque	10.8:1
Carburetor	4.7 kg-m at 8,500 rpm
Ignition System	Keihin CVK34 (2) Constant velocity, Diaphragm-type
Ignition Advance	12 V Battery & Coil, Transistorized Breakerless
Crankshaft Rotation	Electronic
Cylinder Number Method	Clockwise from ignition (RH side)
Firing Interval/Order	Left to Right: 1-2
Cylinder Material	180°
Fuel	Aluminum alloy with ferrous sleeves
Coolant	Min 91 Research/87 Avg. Oct. Unleaded OK
—Capacity	50% distilled water /50% ethylene glycol base antifreeze.
—Level	1.8 liter
	Level with radiator filler neck.

Transmission

Clutch Type	Wet, Multi-disc, Manual
Transmission	6-speed, Constant mesh, Return shift
Shift Pattern (Bottom up)	1-N-2-3-4-5-6 (w/Neutral Finder)
Gear Ratios	
—1st	2.57 (36/14)
—2nd	1.78 (32/18)
—3rd	1.38 (29/21)
—4th	1.13 (27/24)
—5th	0.96 (25/26)
—6th	0.85 (23/27)
Primary Ratio	2.65 (27/23 x 63/28)
Final Ratio	2.63 (39/15)
Overall Ratio (Top Gear)	5.93

Chassis

Wheelbase	1440 mm
Seat Height	770 mm
Ground Clearance	120 mm
Dry Weight	169 kg (US) 169.5 kg (CA)
Curb Weight	190 kg (US) 195.5 kg (CA)
Max Recom Load	186 kg
Fuel Tank Capacity	4.8 U.S. gal.
Tire Size	
—Front	110/70 17
—Rear	130/70 17
Brake Type	
—Front	Single Disc
—Rear	Single Disc
Brake Size	
—Front	252 mm Effective Diameter
—Rear	203 mm Effective Diameter
Wheel Travel	
—Front	140 mm
—Rear	140 mm

Model Identification

Year & Model	'92 EX500-D:Ninja 500
Colors	① Candy Wine Red (H3) ② Metallic Blue Violet (SD)
VIN Range	JKAEXVD1✓TA025001 - 035000
Engine No. Range	EX500AE018001 -

Tuning Specifications

Engine

Cylinder Head Torque		In sequence: ① 2.3 kg-m
0 = Step	— Nuts	② 1.0 kg-m ③ Warm up ④ Retorque cold
Valve Clearance (Cold)		Intake: 0.15-0.24 mm
— Adjustment Method		Exhaust: 0.20-0.25 mm
Compression Pressure		Rocker arm screw
Spark Plug		18.8 kg/m ² at 440 rpm
		NGK D9EA or ND X27ES-U (USA)
		NGK D8ES or NDX24ES-U (Canada)
		0.6-0.7 mm
Ignition Timing		10° BTDC at 1,200 rpm (US)
	—Gap	10° BTDC at 1,300 rpm (CA)
	—Idle	37.5° BTDC at 10,000 rpm (US)
	—Full	37.5° BTDC at 10,000 rpm (CA)
Air Screw		Sealed—not adjustable
Idle Speed		1,050 ±50 rpm (US,CN)
		1,250 ±50 rpm (CA)
Engine Oil		SE Class SAE 10W40, 10W50, 20W40, 20W50
—w/Filter Change		3.4 liter
—No Filter Change		2.4 liter
—Level		On center stand, wait 5 min, middle of window

Chassis

Fork Oil		SAE 10W20
—Capacity		349.5-354.5 cc
Tire Pressure (Cold)		
—Front		33 psi
—Rear		36 psi
Drive Chain Slack		34-45 mm (STD)

AIR CLEANER

BRAKE PEDAL/TORQUE LINK

BREATHER COVER/OIL PAN

CABLES

CAMSHAFTS/TENSIONER

CARBURETOR (1/2)

CARBURETOR PARTS (1/2)

CHASSIS ELECTRICAL EQUIPMENT

CLUTCH

COWLING (1/2)(EX500-A7)

COWLING LOWERS (1/2)(EX500-A7)

CRANKCASE (1/2)

CRANKCASE BOLT PATTERN

CRANKSHAFT

CYLINDER HEAD

CYLINDER HEAD COVER

CYLINDER/PISTONS

DECALS (EX500-A7)(BLUE/WHITE)

DECALS (EX500-A7)(GREEN/WHITE)

ELECTRO BRACKET

ENGINE COVERS

FENDERS

FOOTRESTS

FRAME

FRAME FITTINGS

FRONT BRAKE

FRONT FORK

FRONT MASTER CYLINDER

FRONT WHEEL

FUEL EVAPORATIVE SYSTEM

FUEL TANK (1/4)(EX500-A7)

GEAR CHANGE DRUM/SHIFT FORKS

GEAR CHANGE MECHANISM

GENERATOR

HANDLEBAR

HEADLIGHT

IGNITION SWITCH/LOCKS/REFLECTORS

IGNITION SYSTEM

LABELS

METERS

MUFFLERS

OIL PUMP/OIL FILTER

OWNER'S TOOLS

RADIATOR/FAN/WATER PUMP (1/2)

REAR SUSPENSION

REAR WHEEL/CHAIN/COUPLING

ROCKER ARMS/VALVES

SEAT (1/2)(EX500-A7)

SHOCK ABSORBER

SIDE COVERS (2/2)(EX500-A7)

STANDS

STARTER MOTOR

SWINGARM

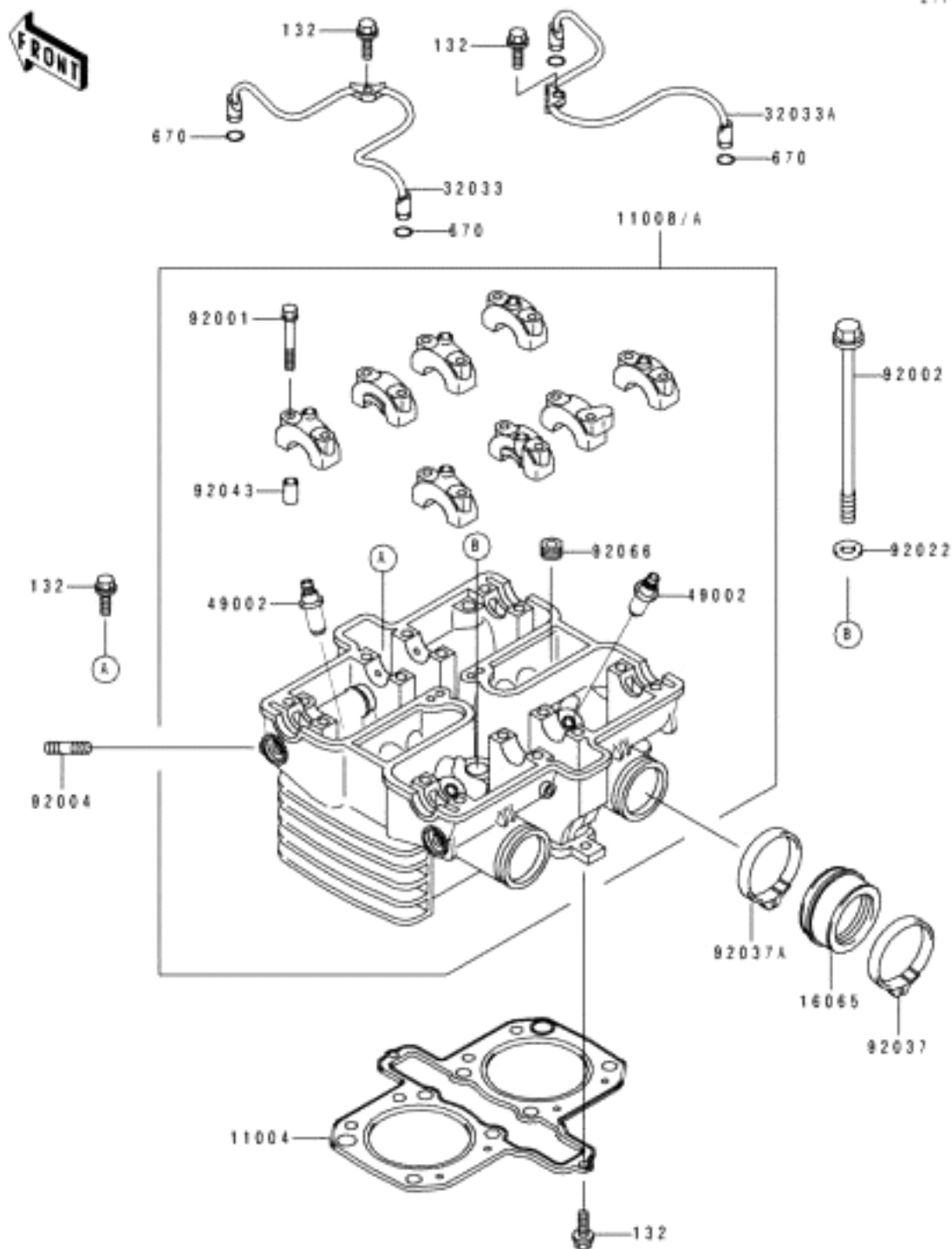
TAILLIGHT

TIRES

TRANSMISSION

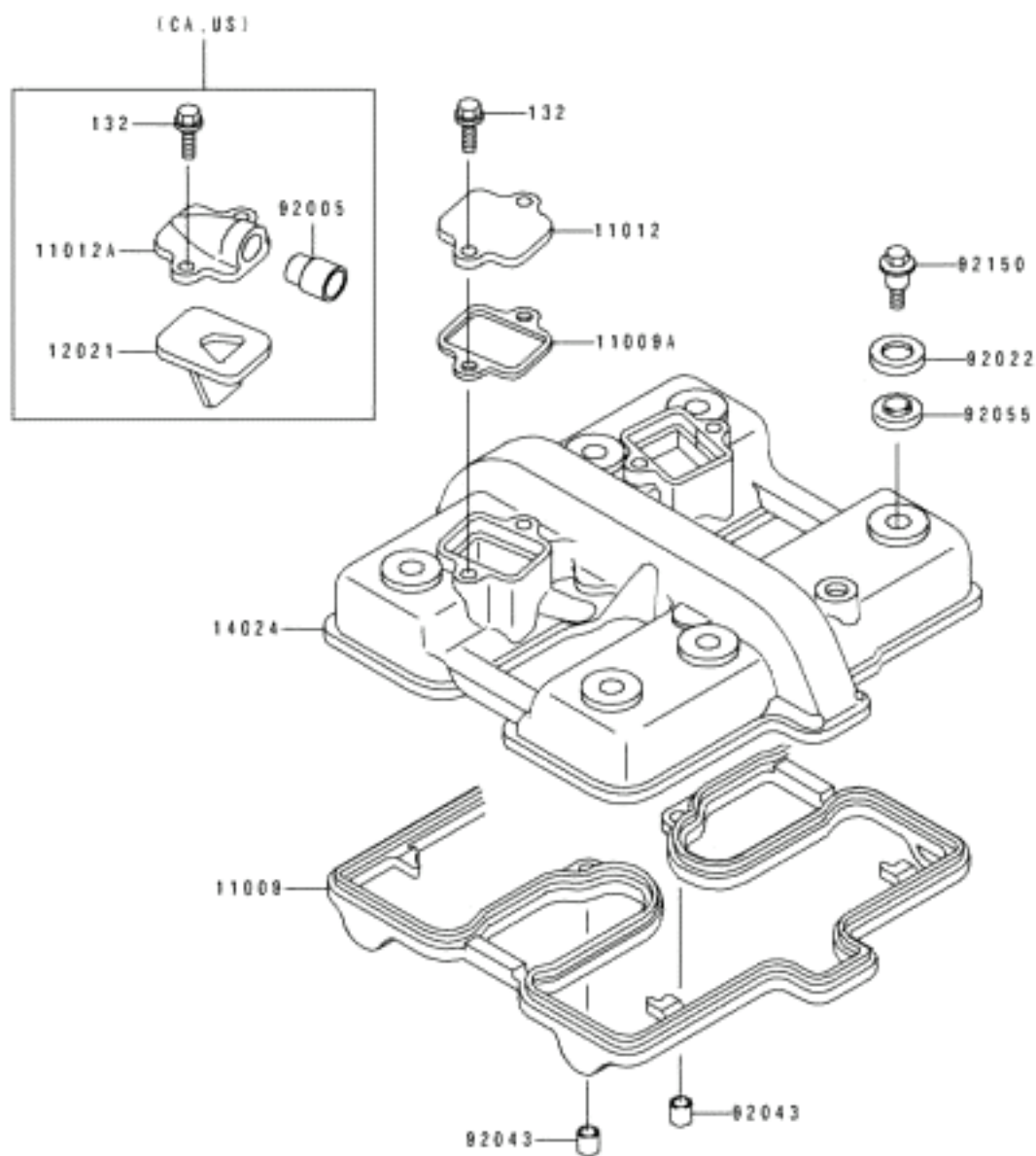
TURN SIGNALS

WATER PUMP



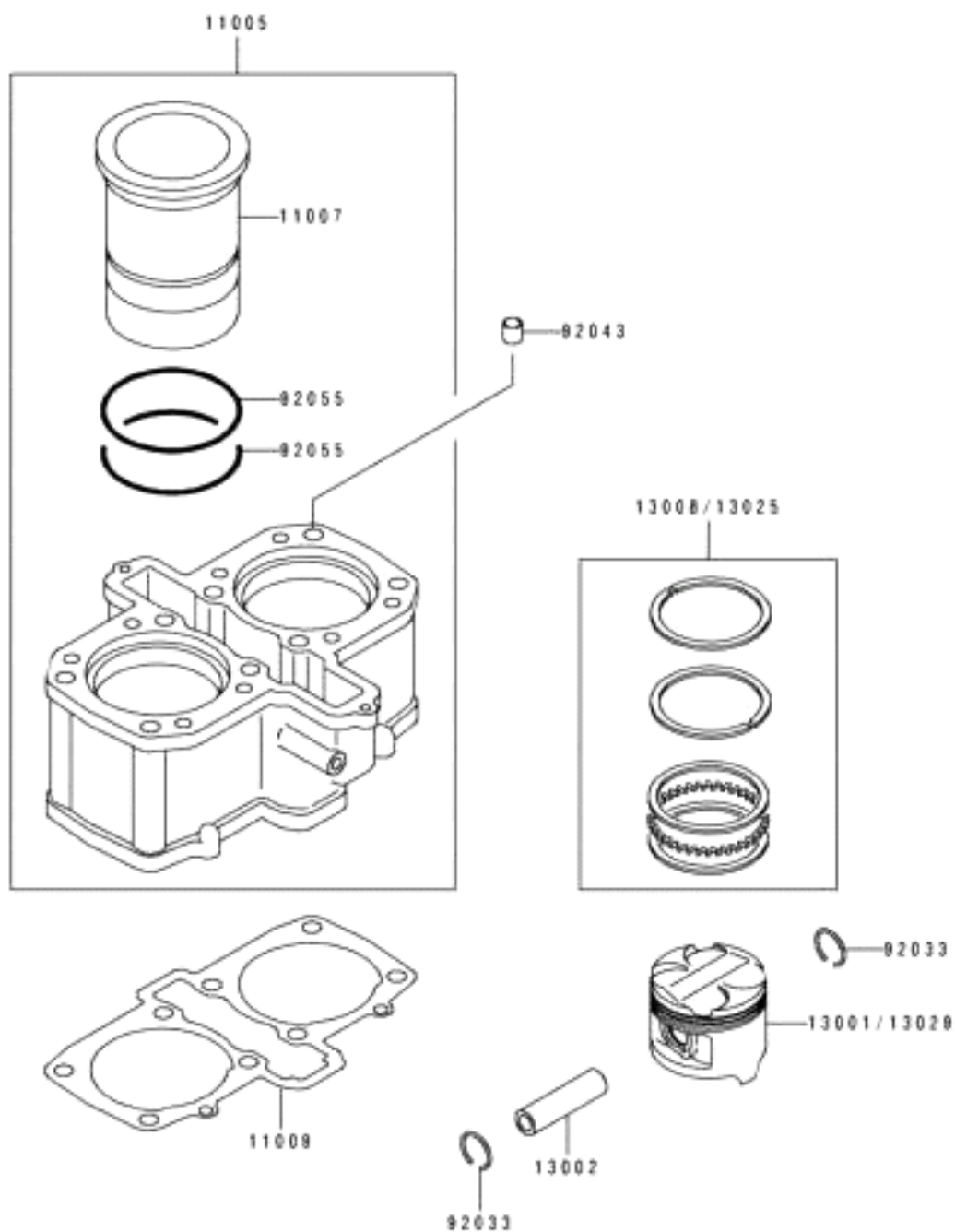
CYLINDER HEAD

Ref #	Part #	Description	Qty	Spec Code	Price
11004	11004-1159	GASKET-HEAD	1		
11008	11008-1229	HEAD-COMP-CYLINDER	1	[CA,US]	
11008A	11008-1230	HEAD-COMP-CYLINDER	1	[CN]	
16065	16065-1130	HOLDER-CARBURETOR	2		
32033	32033-1527	PIPE,OIL,LH	1		
32033A	32033-1528	PIPE,OIL,RH	1		
49002	49002-1052	GUIDE-VALVE	8		
92001	92001-1872	BOLT,6X46	16		
92002	92002-1943	BOLT,10X164	8		
92004	92004-1008	STUD,8X25	4		
92022	92022-1591	WASHER,10.5X20X1.6	8		
92037	92037-1304	CLAMP,ID=53,BLACK	2		
92037A	92037-1523	CLAMP	2		
92043	92043-1263	PIN,6.2X8X14	16		
92066	92066-1253	PLUG	2		
132	132G0620	BOLT-FLANGED-SMALL	4		
670	670D1507	O RING,7MM	4		



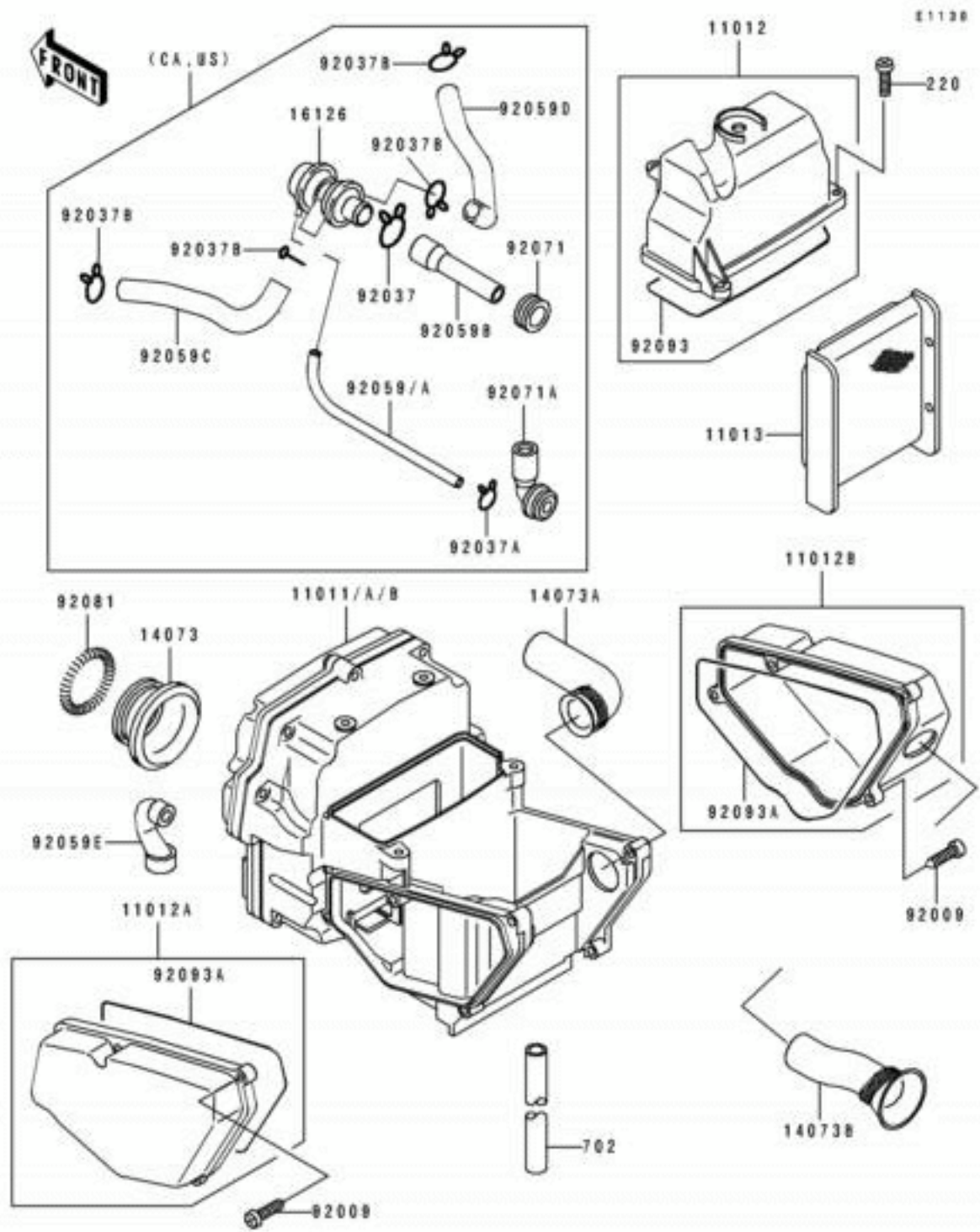
CYLINDER HEAD COVER

Ref #	Part #	Description	Qty	Spec Code	Price
11009	11009-1483	GASKET,CYLINDER HEAD COVER	1		
11009A	11009-1879	GASKET,REED VALVE	2	[CN]	
11012	11012-1212	CAP,CYLINDER HEAD COVER	2	[CN]	
11012A	11012-1310	CAP,REED VALVE	2	[CA,US]	
12021	12021-1026	VALVE-ASSY-REED	2	[CA,US]	
14024	14024-1397	COVER,CYLINDER HEAD	1		
92005	92005-1006	FITTING,REED VALVE	2	[CA,US]	
92022	92022-1487	WASHER,HEAD COVER BOLT	6		
92043	92043-1302	PIN,DOWEL,8X10	2		
92055	92055-1225	RING-O,HEAD COVER BOLT	6		
92150	92150-1447	BOLT,HEAD COVER	6		
132	132J0616	BOLT-FLANGED-SMALL	4		



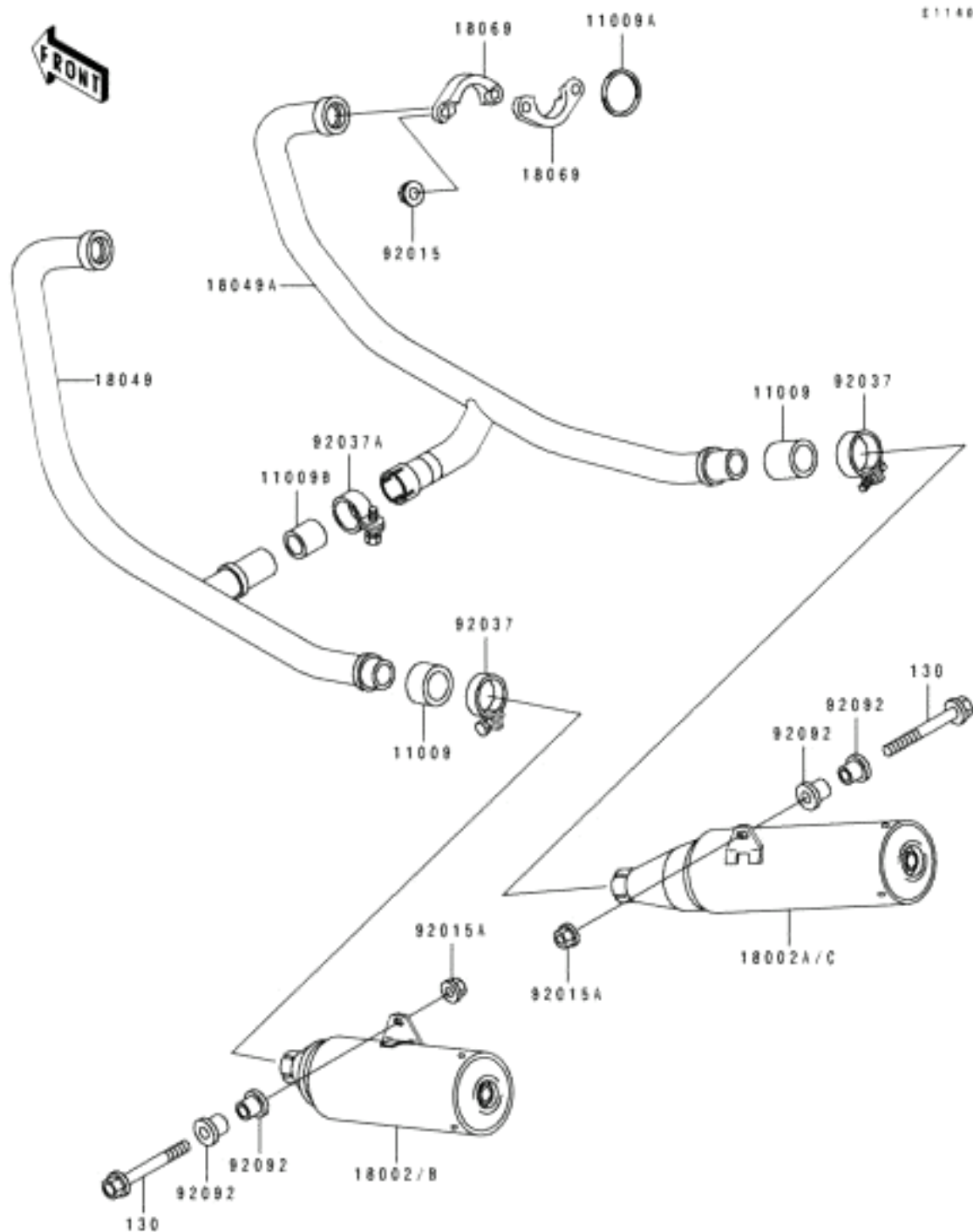
CYLINDER/PISTONS

Ref #	Part #	Description	Qty	Spec Code	Price
11005	11005-1517	CYLINDER-ENGINE	1		
11007	11007-1096	LINER-CYLINDER	2		
11009	11009-1640	GASKET,CYLINDER BASE	1		
13001	13001-1251	PISTON-ENGINE,STD	2		
13002	13002-1058	PIN-PISTON	2		
13008	13008-1084	RING-SET-PISTON,STD	2		
13025	13025-1084	RING-SET-PISTON L,O/S 0.50	AR		
13029	13029-1160	PISTON-ENGINE L,O/S 0.50	AR		
92033	92033-1099	RING-SNAP,20.5X1.2	4		
92043	92043-1279	PIN,11.5X14X14	2		
92055	92055-1247	RING-O	4		



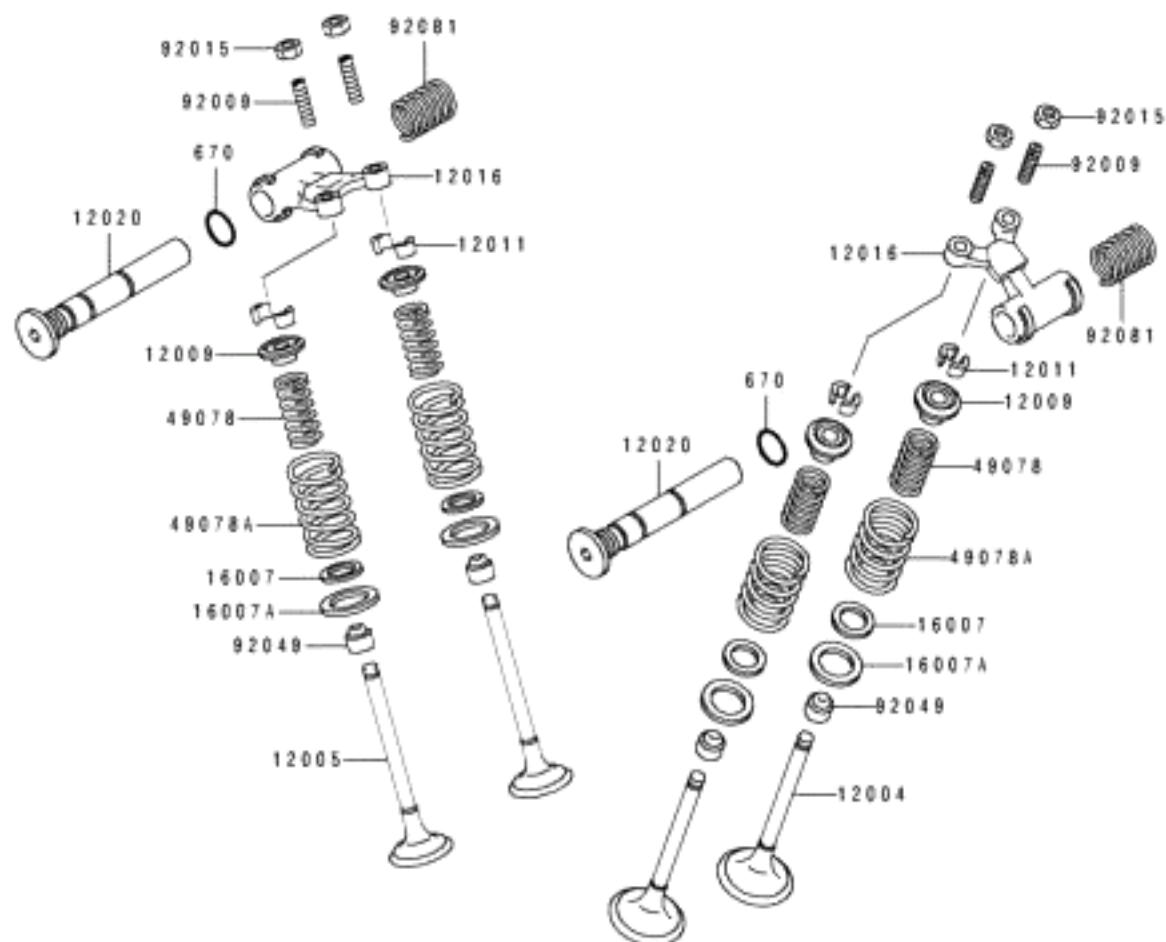
AIR CLEANER

Ref #	Part #	Description	Qty	Spec Code	Price
11011	11011-1268	CASE-AIR FILTER	1	[US]	
11011A	11011-1269	CASE-AIR FILTER	1	[CA]	
11011B	11011-1270	CASE-AIR FILTER	1	[CN]	
11012	11012-1571	CAP,AIR FILTER CASE,UPP	1		
11012A	11012-1608	CAP,AIR FILTER,LH	1		
11012B	11012-1609	CAP,AIR FILTER,RH	1		
11013	11013-1155	ELEMENT-AIR FILTER	1		
14073	14073-1292	DUCT,CARBURATOR	2		
14073A	14073-1293	DUCT,INTAKE	1		
14073B	14073-1295	DUCT	1		
16126	16126-1005	VALVE,AIR SWITCH	1	[CA,US]	
92009	92009-1488	SCREW,TAPPING,5X30	12		
92037	92037-1076	CLAMP,TUBE	1	[CA,US]	
92037A	92037-1712	CLAMP	1	[CA,US]	
92037B	92037-213	CLAMP,TUBE	4	[CA,US]	
92059	92059-1043	TUBE,4X9X290	1	[US]	
92059A	92059-1131	TUBE,4X9X110	1	[CA]	
92059B	92059-1770	TUBE,AIR FILTER-ACV	1	[CA,US]	
92059C	92059-1771	TUBE,AIR SWITCH,LH	1	[CA,US]	
92059D	92059-1772	TUBE,AIR SWITCH,RH	1	[CA,US]	
92059E	92059-1773	TUBE,BREATHER	1		
92071	92071-1028	GROMMET,AIR FILTER	1	[CA,US]	
92071A	92071-1114	GROMMET,AIR FILTER	1	[CA]	
92081	92081-1457	SPRING,COIL,BLACK	2		
92093	92093-1233	SEAL,AIR FILTER CAP	1		
92093A	92093-1234	SEAL,AIR FILTER	2		
220	220B0616	SCREW-PAN-CROS,6X16	4		
702	702A05350	TUBE-RUBBER,5X350	1		



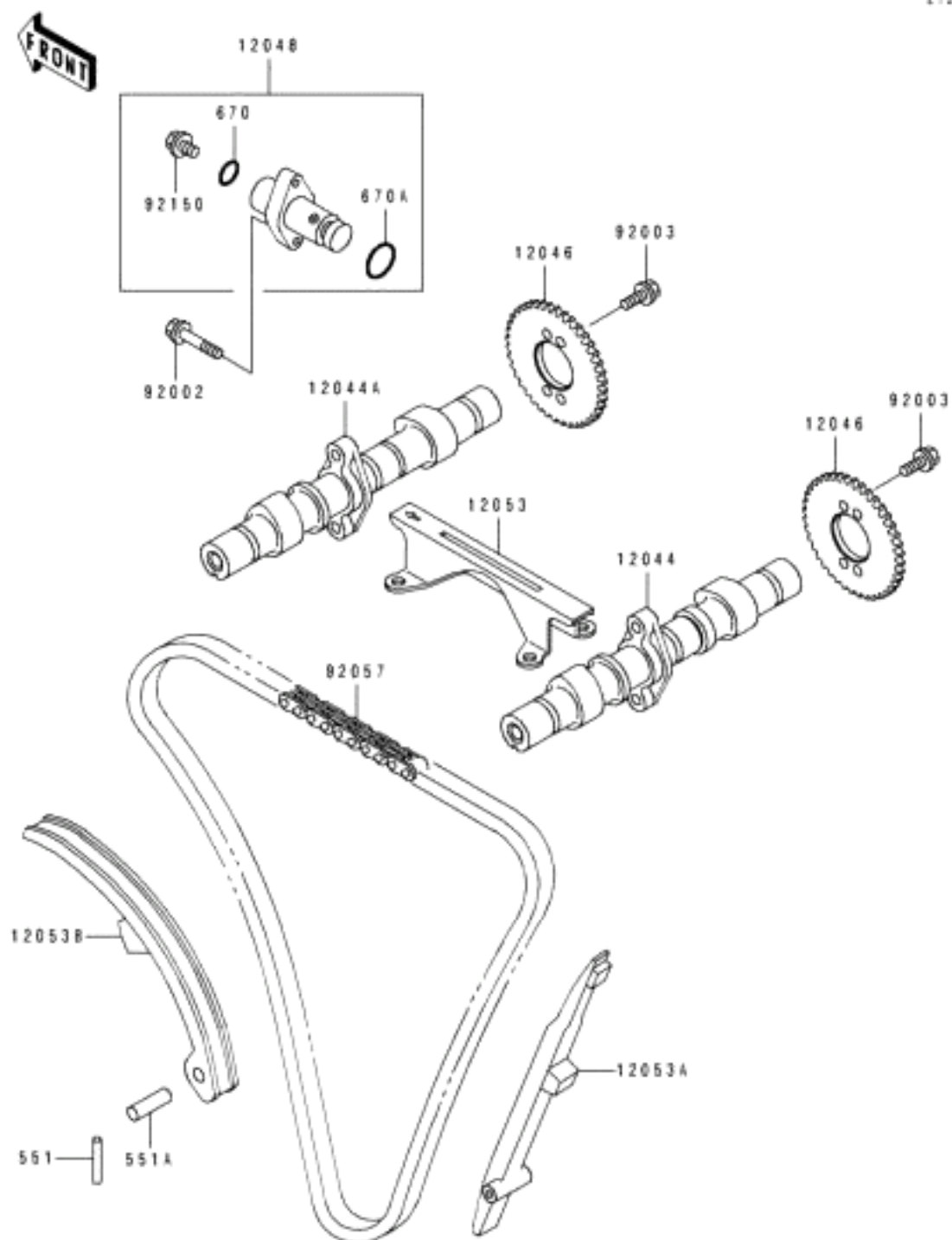
MUFFLERS

Ref #	Part #	Description	Qty	Spec Code	Price
11009	11009-1667	GASKET,EXHAUST PIPE CONNECTING	2		
11009A	11009-1840	GASKET,EXHAUST PIPE HOLDER	2		
11009B	11009-1865	GASKET,MUFFLER CONNECTING	1		
18002	18002-1741	BODY-COMP-MUFFLER,LH	1	[CN]	
18002A	18002-1742	BODY-COMP-MUFFLER,RH	1	[CN]	
18002B	18002-1884	BODY-COMP-MUFFLER,LH	1	[CA,US]	
18002C	18002-1885	BODY-COMP-MUFFLER,RH	1	[CA,US]	
18049	18049-1402	PIPE-EXHAUST,LH	1		
18049A	18049-1403	PIPE-EXHAUST,RH	1		
18069	18069-1054	HOLDER-EXHAUST PIPE	4		
92015	92015-1174	NUT,CAP,8MM,BLACK	4		
92015A	92015-1387	NUT,FLANGED,10MM	2		
92037	92037-1350	CLAMP,42MM,BLACK	2		
92037A	92037-1792	CLAMP,39.5MM	1		
92092	92092-010	BUSHING-RUBBER,MUFFLER FITTING	4		
130	130J1065	BOLT-FLANGED	2		



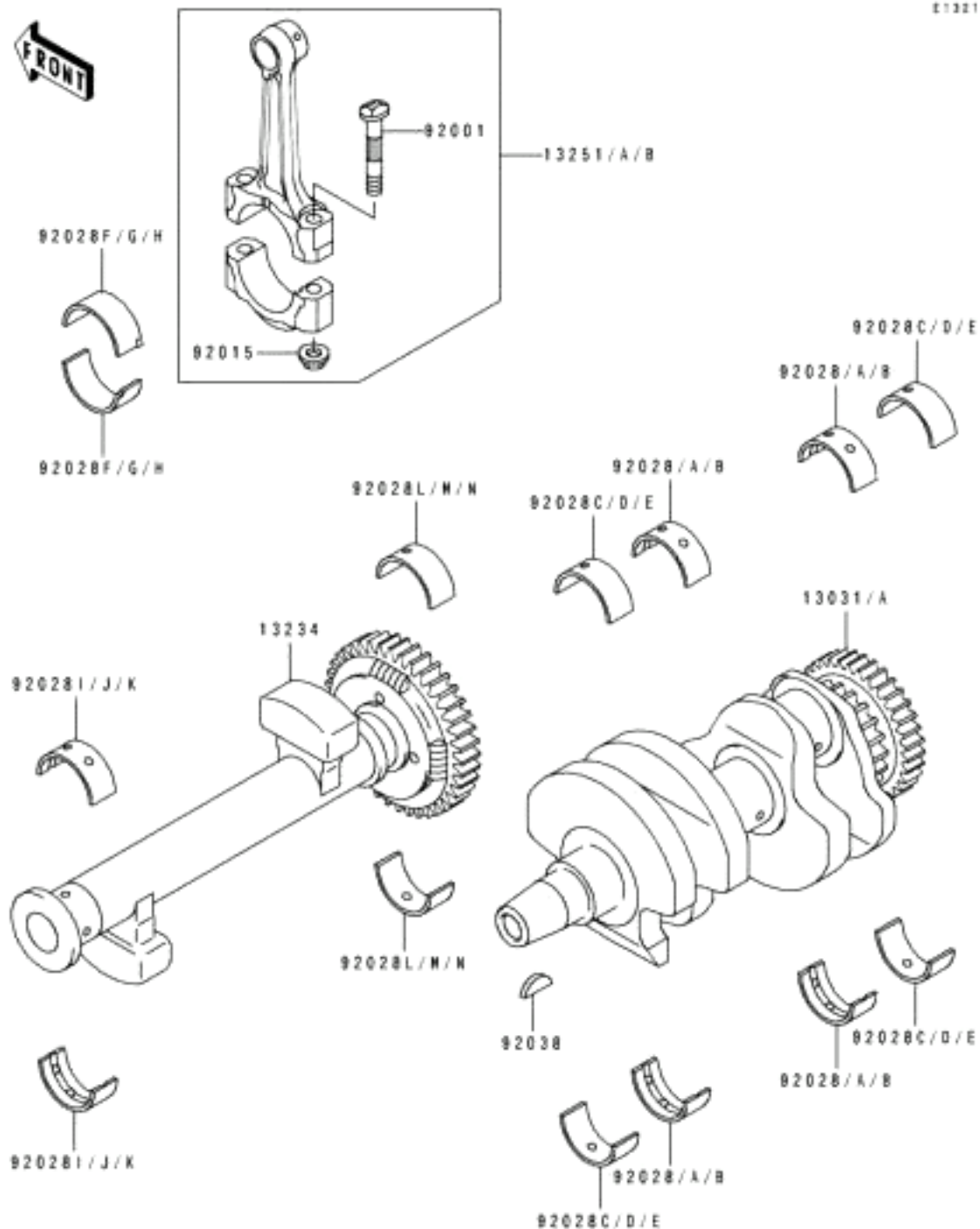
ROCKER ARMS/VALVES

Ref #	Part #	Description	Qty	Spec Code	Price
12004	12004-1076	VALVE-INTAKE	4		
12005	12005-1052	VALVE-EXHAUST	4		
12009	12009-1054	RETAINER-VALVE SPRING	8		
12011	12011-1003	COLLET	16		
12016	12016-1051	ARM-ROCKER	4		
12020	12020-1057	SHAFT-ROCKER	4		
16007	16007-1143	SEAT-SPRING,12.1X16.2X0.5	8		
16007A	16007-1144	SEAT-SPRING,17.5X23.8X0.5	8		
49078	49078-1051	SPRING-ENGINE VALVE,INNER	8		
49078A	49078-1052	SPRING-ENGINE VALVE,OUTER	8		
92009	92009-1279	SCREW,7MM	8		
92015	92015-1325	NUT,7MM	8		
92049	92049-1062	SEAL-OIL,RVC2-5.5X8.5X8.3	8		
92081	92081-1636	SPRING,ROCKER ARM	4		
670	670D2016	O RING,16MM	4		



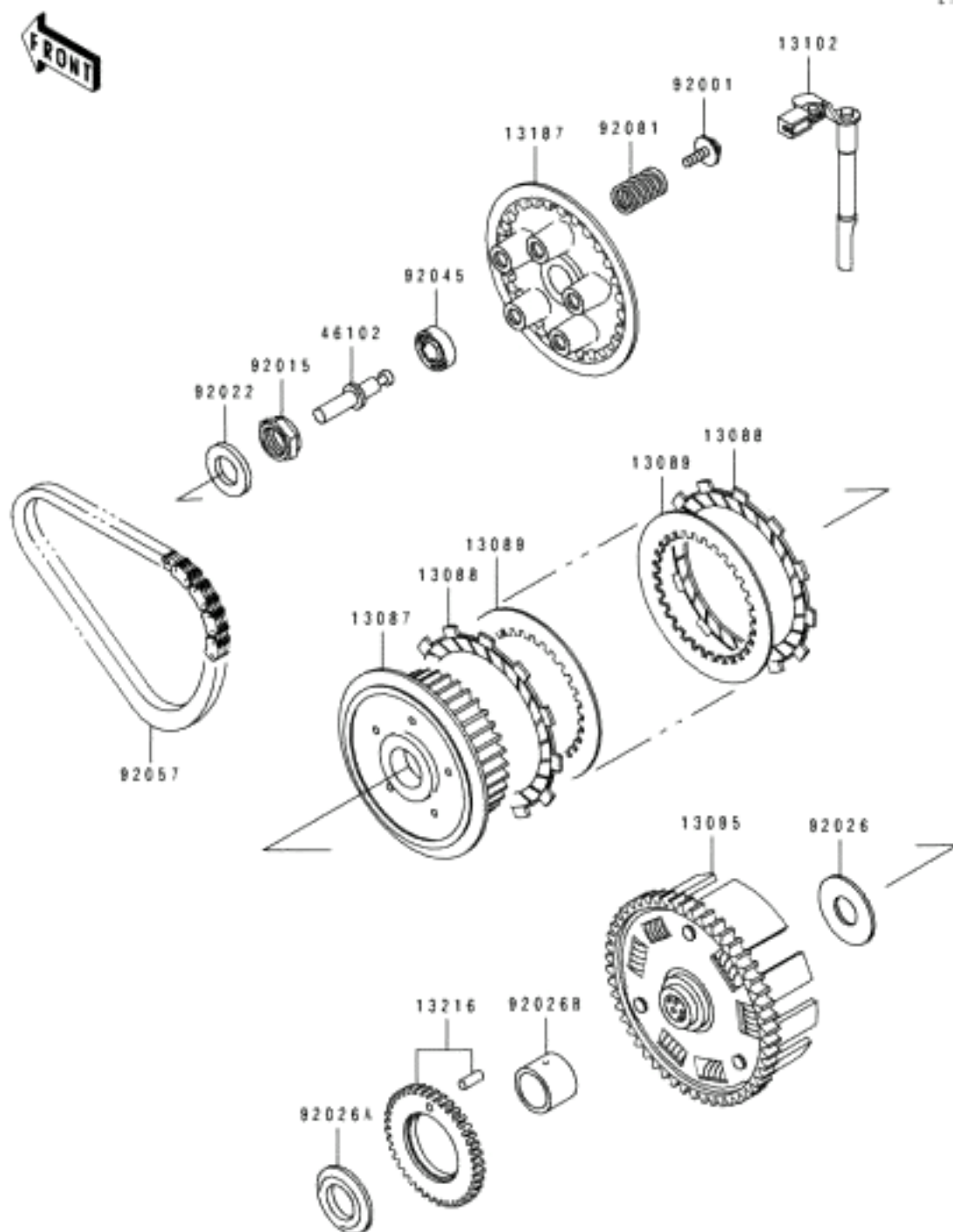
CAMSHAFTS/TENSIONER

Ref #	Part #	Description	Qty	Spec Code	Price
12044	12044-1198	CAMSHAFT-VALVE,INTAKE	1		
12044A	12044-1199	CAMSHAFT-VALVE,EXHAUST	1		
12046	12046-1075	SPROCKET,CAMSHAFT,46T	2		
12048	12048-1067	TENSIONER-ASSY,CAM CHAIN	1		
12053	12053-1145	GUIDE-CHAIN,UPP	1		
12053A	12053-1150	GUIDE-CHAIN,RR	1		
12053B	12053-1151	GUIDE-CHAIN,FR	1		
92002	92002-1086	BOLT,6X25	2		
92003	92003-208	BOLT,FLANGED,6X11	4		
92057	92057-1188	CHAIN,CAM,79RH2015-148L	1		
92150	92150-1380	BOLT,TENSIONER	1		
551	551A0432	PIN-DOWEL	1		
551A	551A0840	PIN-DOWEL,8X40	1		
670	670D2010	O RING	1		
670A	670D2021	O RING,21MM	1		



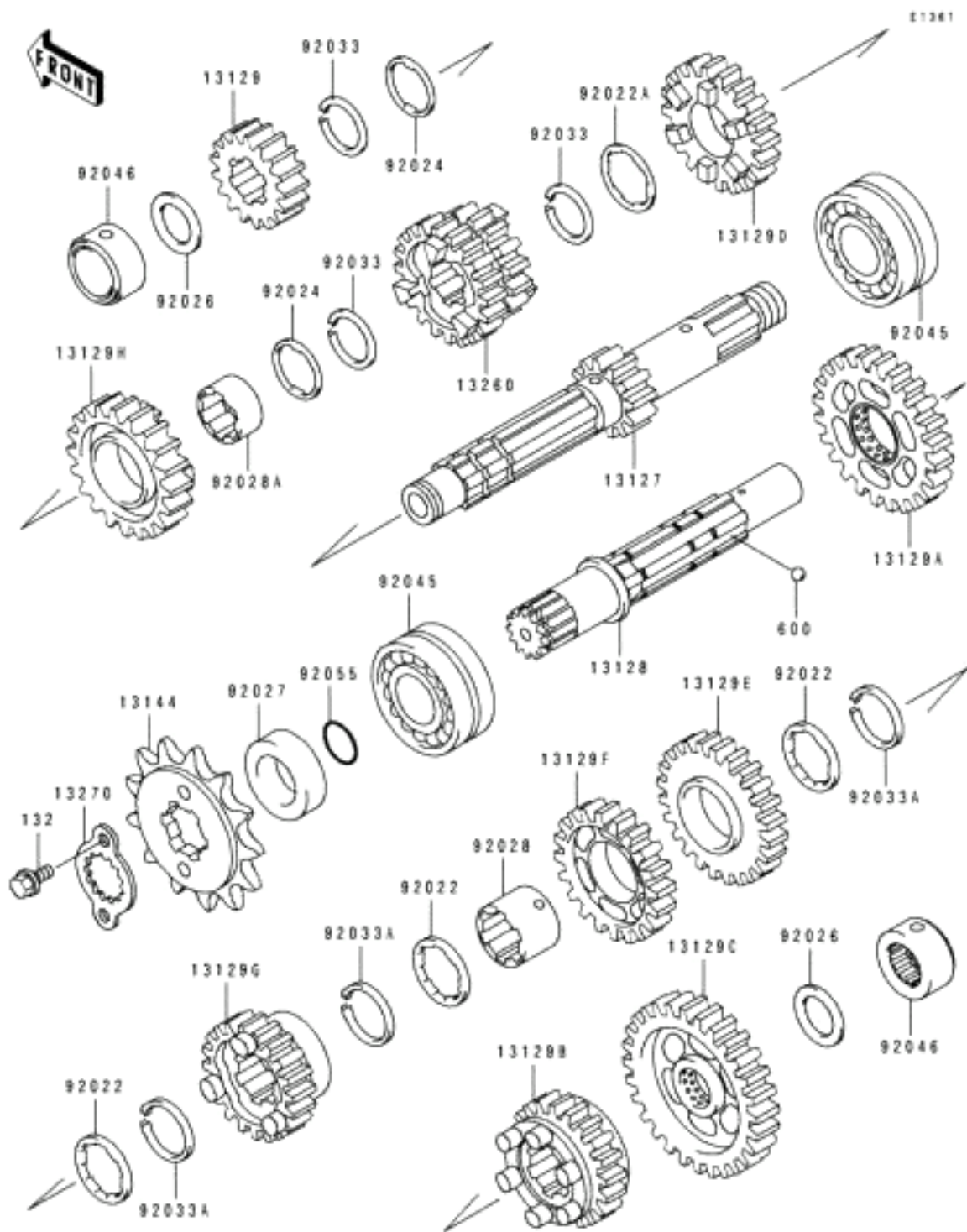
CRANKSHAFT

Ref #	Part #	Description	Qty	Spec Code	Price
13031A	13031-1303	CRANKSHAFT-COMP	1		
13234	13234-1071	SHAFT-COMP,BALANCER	1		
13251	13251-1067-HH	ROD-ASSY-CONNECTING,H	2		
13251A	13251-1067-II	ROD-ASSY-CONNECTING,I	2		
13251B	13251-1067-JJ	ROD-ASSY-CONNECTING,J	2		
92001	92001-1887	BOLT,CONNECTING ROD,8MM	4		
92015	92015-1311	NUT,FLANGED,8MM	4		
92028	92028-1100	BUSHING,CRANKSHAFT,BLUE	4		
92028A	92028-1101	BUSHING,CRANKSHAFT,BLACK	AR		
92028B	92028-1102	BUSHING,CRANKSHAFT,BROWN	AR		
92028C	92028-1272	BUSHING,CRANKSHAFT,BLUE	4		
92028D	92028-1273	BUSHING,CRANKSHAFT,BLACK	AR		
92028E	92028-1274	BUSHING,CRANKSHAFT,BROWN	AR		
92028F	92028-1348	BUSHING,CONNECTING ROD,BLUE	4		
92028G	92028-1349	BUSHING,CONNEXTING ROD,BLACK	AR		
92028H	92028-1350	BUSHING,CONNECTING ROD,BROWN	AR		
92028I	92028-1495	BUSHING,BALANCER,LH,BLUE	2		
92028J	92028-1496	BUSHING,BALANCER,LH,BLACK	AR		
92028K	92028-1497	BUSHING,BALANCER,LH,BROWN	AR		
92028L	92028-1653	BUSHING,BALANCER,RH,BLUE	2		
92028M	92028-1654	BUSHING,BALANCER,RH,BLACK	AR		
92028N	92028-1655	BUSHING,BALANCER,RH,BROWN	AR		
92038	92038-001	KEY,WOODRUFF	1		



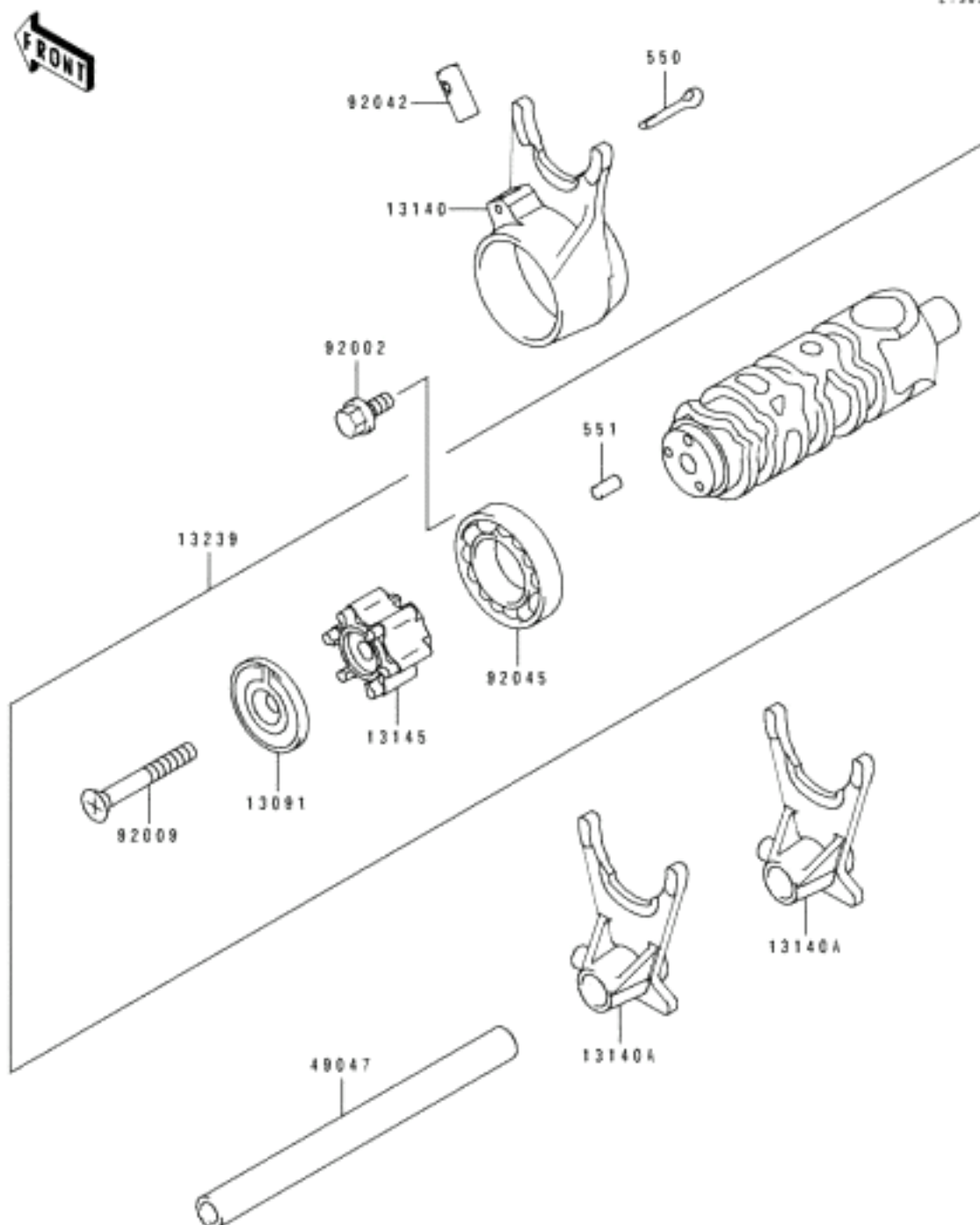
CLUTCH

Ref #	Part #	Description	Qty	Spec Code	Price
13087	13087-1052	HUB-CLUTCH	1		
13088	13088-1013	PLATE-FRICTION	7		
13089	13089-026	PLATE-CLUTCH,T=2.0	6		
13095	13095-1158	HOUSING-COMP-CLUTCH	1		
13102	13102-1087	RELEASE-COMP-CLUTCH	1		
13187	13187-1012	PLATE-CLUTCH OPERATING	1		
13216	13216-1066	GEAR-COMP,40T	1		
46102	46102-1134	ROD,CLUTCH	1		
92001	92001-1066	BOLT,FLANGED,6X18	5		
92015	92015-1555	NUT,20MM	1		
92022	92022-1116	WASHER,20.3X36X2.3	1		
92026	92026-022	SPACER,25.5X47X2.5	1		
92026A	92026-1242	SPACER	1		
92026B	92026-1243	SPACER,25X30X23.5	1		
92045	92045-1235	BEARING-BALL,6001C3ML01	1		
92057	92057-1229	CHAIN,PRIMARY	1		
92081	92081-1864	SPRING,CLUTCH	5		



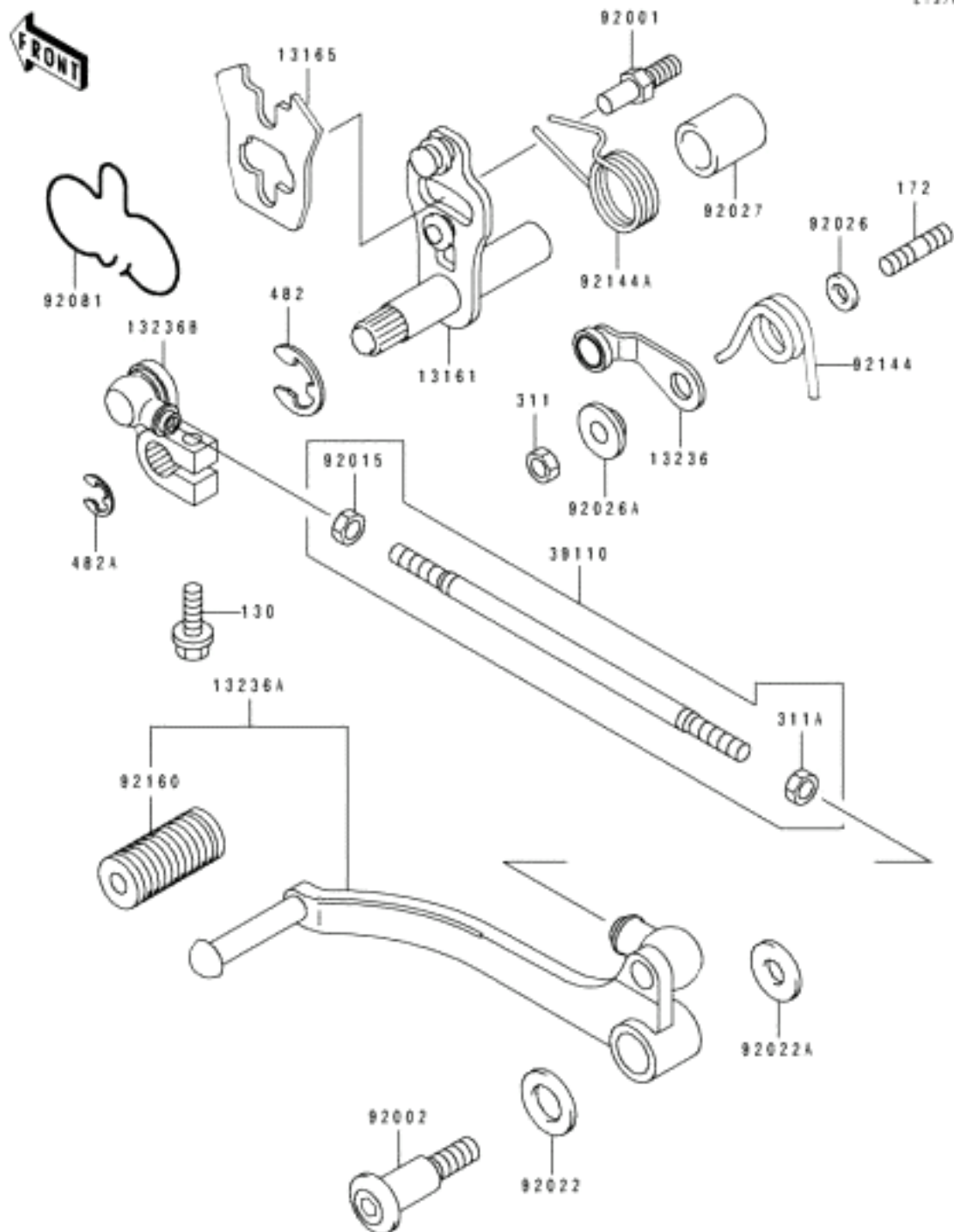
TRANSMISSION

Ref #	Part #	Description	Qty	Spec Code	Price
13127	13127-1148	SHAFT-TRANSMISSION INPUT,14T	1		
13128	13128-1143	SHAFT-TRANSMISSION OUTPUT	1		
13129	13129-1077	GEAR,INPUT 2ND,18T	1		
13129A	13129-1078	GEAR,OUTPUT 2ND,32T	1		
13129B	13129-1083	GEAR,OUTPUT 5TH,25T	1		
13129C	13129-1564	GEAR,OUTPUT LOW,36T	1		
13129D	13129-1657	GEAR,INPUT 5TH,26T	1		
13129E	13129-1659	GEAR,OUTPUT 3RD,29T	1		
13129F	13129-1660	GEAR,OUTPUT 4TH,27T	1		
13129G	13129-1858	GEAR,OUTPUT TOP,23T	1		
13129H	13129-1859	GEAR,INPUT TOP,27T	1		
13144	13144-1085	SPROCKET-OUTPUT,16T	1		
13260	13260-1195	GEAR,INPUT 3RD&4TH,21T&24T	1		
13270	13270-1060	PLATE,SPROCKET	1		
92022	92022-1139	WASHER,TOOTHED,28.3X33.5X1	3		
92022A	92022-1861	WASHER,TOOTHED,25.3X31.8X1.6	1		
92024	92024-033	WASHER,TOOTHED,25.5X32X1	2		
92026	92026-1022	SPACER,20.3X30X2.0	2		
92027	92027-1857	COLLAR,25X40X12	1		
92028	92028-1364	BUSHING,OUTPUT 3RD&4TH GEAR	1		
92028A	92028-1552	BUSHING,INPUT TOP GEAR	1		
92033	92033-026	RING-SNAP,24MM	3		
92033A	92033-1037	RING-SNAP,25.9MM	3		
92045	92045-035	BEARING-BALL,83993SH2-CS	2		
92046	92046-1161	BEARING-NEEDLE,NKZ20X34X17	2		
92055	92055-035	RING-O	1		
132	132G0608	BOLT-FLANGED-SMALL	2		
600	600A0500	BALL-STEEL,5/32\	3		



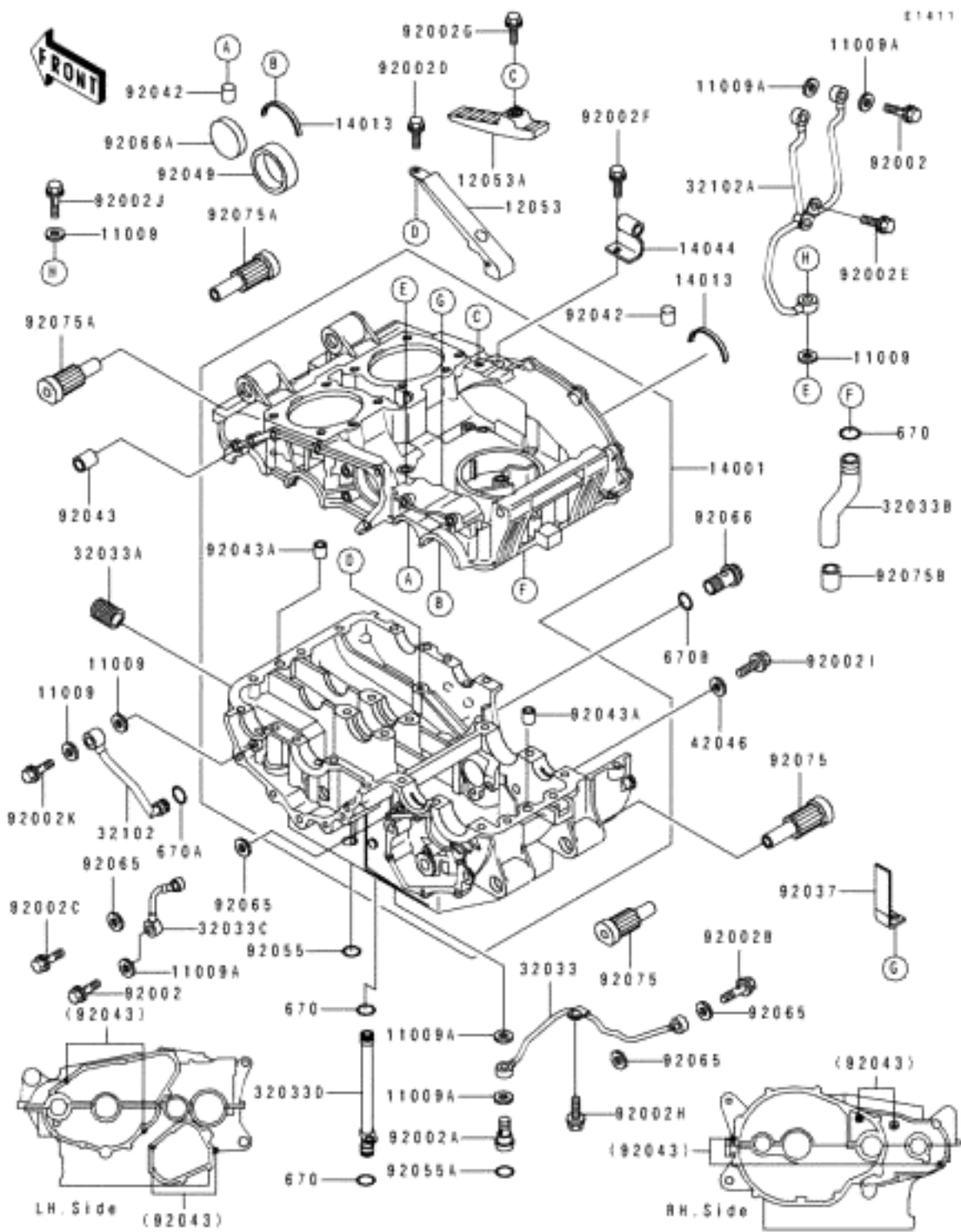
GEAR CHANGE DRUM/SHIFT FORKS

Ref #	Part #	Description	Qty	Spec Code	Price
13091	13091-1351	HOLDER,CHANGE DRUM	1		
13140	13140-1016	FORK-SHIFT,DRIVE	1		
13140A	13140-1062	FORK-SHIFT,OUTPUT	2		
13145	13145-1056	CAM-CHANGE DRUM	1		
13239	13239-1118	DRUM-ASSY-CHANGE	1		
49047	49047-1061	ROD-SHIFT	1		
92002	92002-1572	BOLT,6X12	2		
92009	92009-1599	SCREW,6X45	1		
92042	92042-021	PIN,DOWEL,8X18	1		
92045	92045-036	BEARING-BALL,#6905	1		
550	550D3020	PIN-COTTER,3.0X20	1		
551	551A0408	PIN-DOWEL,4X8	1		



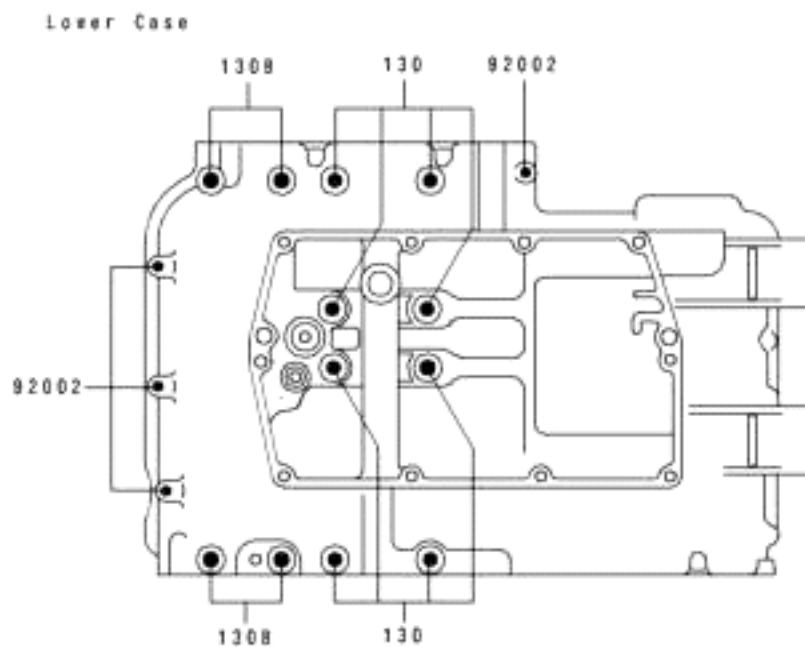
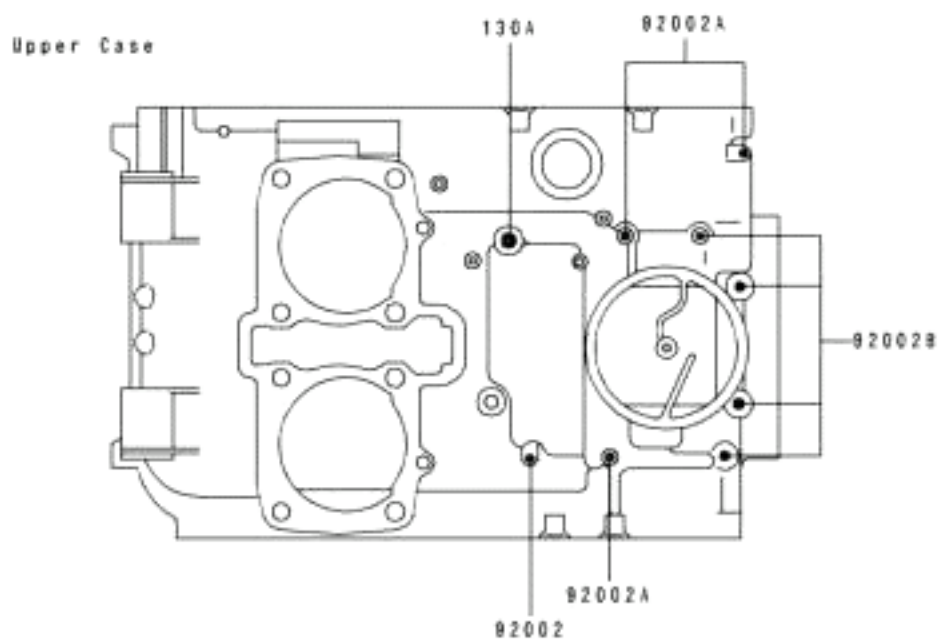
GEAR CHANGE MECHANISM

Ref #	Part #	Description	Qty	Spec Code	Price
13161	13161-1117	LEVER-COMP-CHANGE SHAFT	1		
13165	13165-1034	PAWL,CHANGE LEVER	1		
13236	13236-1103	LEVER-COMP,GEAR POSITION	1		
13236A	13236-1153	LEVER-COMP,CHANGE PEDAL	1		
13236B	13236-1154	LEVER-COMP,CHANGE LINK	1		
39110	39110-1077	ROD-ASSY-TIE	1		
92001	92001-1455	BOLT,RETURN SPRING	1		
92002	92002-1926	BOLT,CHANGE PEDAL	1		
92015	92015-1178	NUT	1		
92022	92022-072	WASHER,12.5X21X1.2	1		
92022A	92022-1561	WASHER,8.5X20X1.6	1		
92026	92026-094	SPACER,6.3X12X1.0	1		
92026A	92026-1217	SPACER	1		
92027	92027-1440	COLLAR,13X18.3X21.5	1		
92081	92081-1785	SPRING,CHANGE LEVER	1		
92144	92144-1180	SPRING,POSITION LEVER	1		
92144A	92144-1644	SPRING,CHANGE PEDAL RETURN	1		
92160	92160-1036	DAMPER,CHANGE PEDAL	1		
130	130S0620	BOLT-FLANGED,6X20,BLACK	1		
172	172G0614	BOLT-STUD,6X14	1		
311	311G0600	NUT-HEX,6MM	1		
311A	311J0600	NUT-HEX	1		
482	482J0200	CIRCLIP-TYPE-E,12MM	1		
482A	482L7000	CIRCLIP-TYPE-E	1		



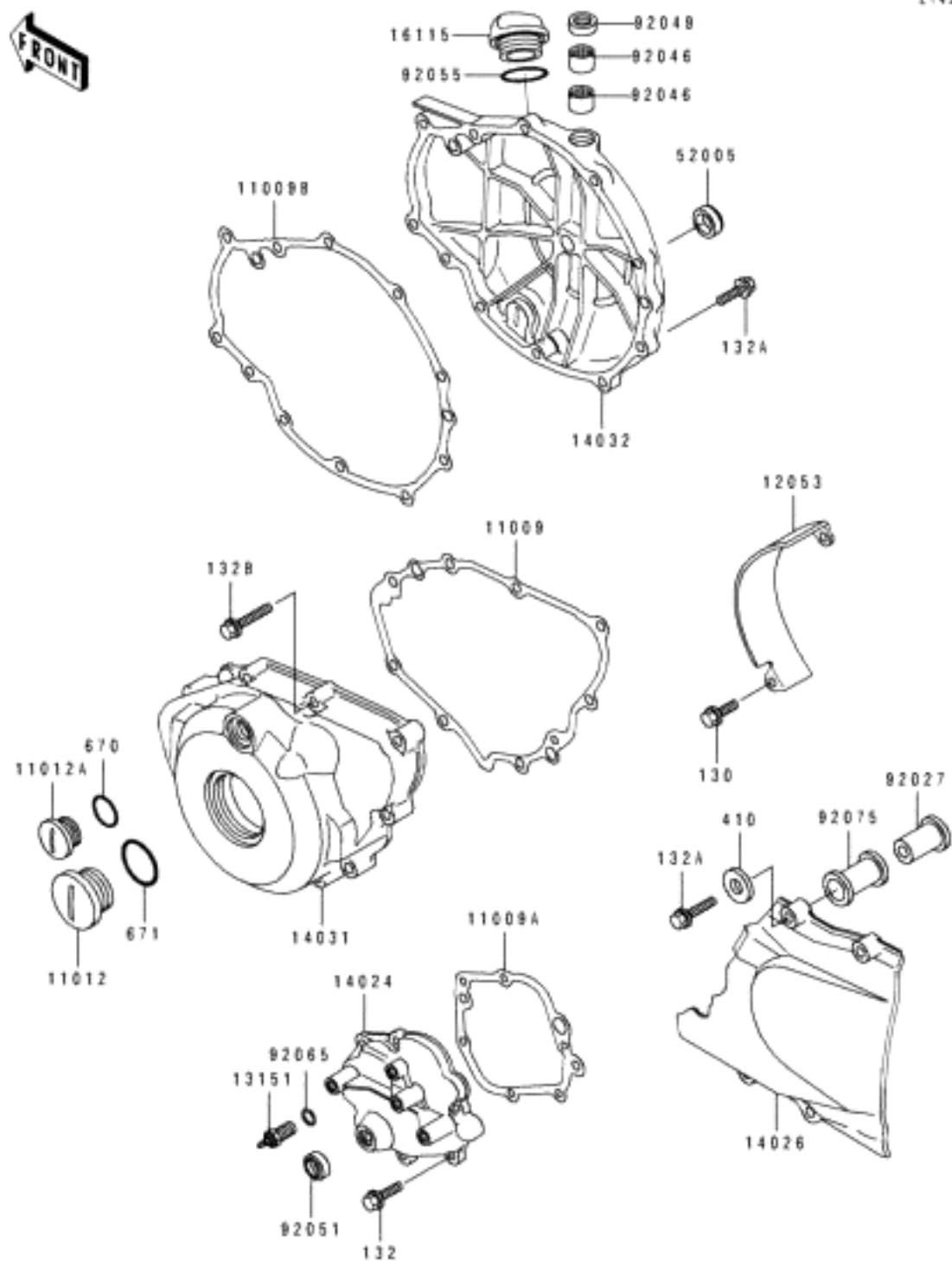
CRANKCASE (1/2)

Ref #	Part #	Description	Qty	Spec Code	Price
11009	11009-1105	GASKET,10X14.5X1.5	4		
11009A	11009-1344	GASKET,OIL PIPE,8.2X14X1.0	8		
12053	12053-1216	GUIDE-CHAIN,LWR	1		
12053A	12053-1217	GUIDE-CHAIN,UPP	1		
14001	14001-5230	SET-CRANKCASE	1		
14013	14013-004	RING-POSITION	2		
14044	14044-1059	HOLDER-CABLE	1		
32033	32033-1530	PIPE	1		
32033A	32033-1535	PIPE	1		
32033B	32033-1538	PIPE	1		
32033C	32033-1539	PIPE	1		
32033D	32033-1574	PIPE	1		
32102	32102-1541	PIPE	1		
32102A	32102-1710	PIPE	1		
42046	42046-008	WASHER,6.5X24X1.2	1		
92002	92002-1429	BOLT,BANJO,8X20	3		
92002A	92002-1467	BOLT	1		
92002B	92002-1471	BOLT,BANJO,6X28	1		
92002C	92002-1473	BOLT,BANJO,6X19	1		
92002D	92002-1563	BOLT,6X12	2		
92002E	92002-1569	BOLT,6X12	1		
92002F	92002-1570	BOLT,6X16	1		
92002G	92002-1571	BOLT,6X16	1		
92002H	92002-1572	BOLT,6X12	1		
92002I	92002-1656	BOLT,6X14	1		
92002J	92002-1809	BOLT,OIL,L=23	1		
92002K	92002-1941	BOLT,BANJO,10X30	1		
92037	92037-1679	CLAMP	1		
92042	92042-016	PIN,DOWEL,6X16	2		
92043	92043-1263	PIN,6.2X8X14	8		
92043A	92043-1264	PIN,8.2X10X14	2		
92049	92049-1070	SEAL-OIL,AE2343F0	1		
92055	92055-048	RING-O,OD=18	2		
92055A	92055-074	RING-O,OD=13	1		
92065	92065-096	GASKET	4		
92066	92066-1205	PLUG,MAIN GALLERY	1		
92066A	92066-1208	PLUG,RCA 345.5	1		
92075	92075-1678	DAMPER,L=79.5	2		
92075A	92075-1679	DAMPER,L=93	2		
92075B	92075-1742	DAMPER	1		
670	670B1510	O RING,10MM	3		
670A	670B2010	O RING,10MM	1		
670B	670B2021	O RING,21MM	1		



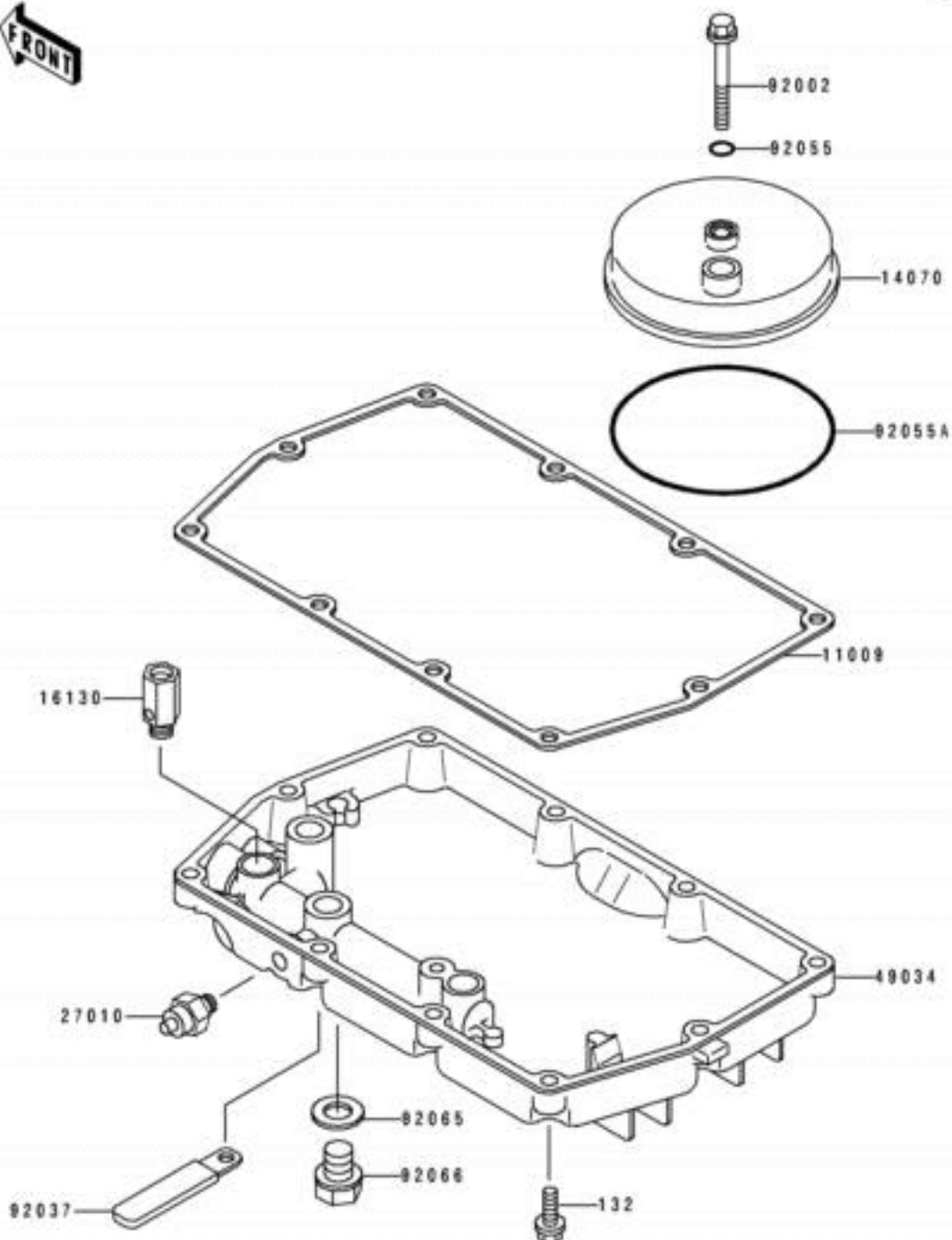
CRANKCASE BOLT PATTERN

Ref #	Part #	Description	Qty	Spec Code	Price
92002	92002-1566	BOLT,6X40	5		
92002A	92002-1567	BOLT,6X60	3		
92002B	92002-1568	BOLT,6X80	4		
130	130Z08100	BOLT-FLANGED	8		
130A	130Z0855	BOLT-FLANGED	1		
130B	130Z0875	BOLT-FLANGED	4		



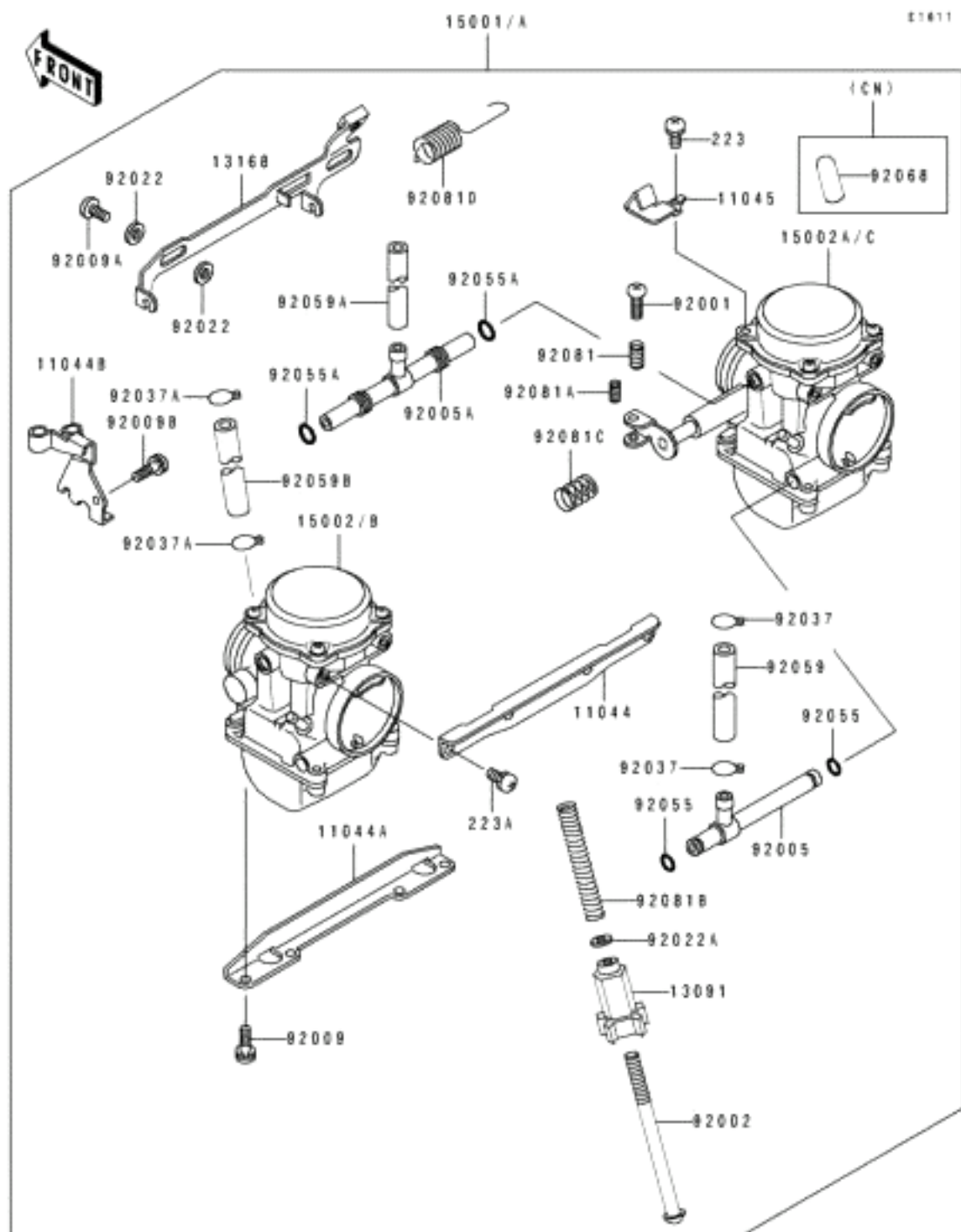
ENGINE COVERS

Ref #	Part #	Description	Qty	Spec Code	Price
11009	11009-1834	GASKET,GENERATOR COVER	1		
11009A	11009-1835	GASKET,CHANGE MECHANISM COVER	1		
11009B	11009-1836	GASKET,CLUTCH COVER	1		
11012	11012-1362	CAP	1		
11012A	11012-1363	CAP, TOP MARK	1		
12053	12053-1215	GUIDE-CHAIN	1		
13151	13151-1007	SWITCH-COMP,NEUTRAL	1		
14024	14024-1387	COVER,CHANGE MECHANISM	1		
14026	14026-1128	COVER-CHAIN	1		
14031	14031-1202	COVER-GENERATOR	1		
14032	14032-1231	COVER-CLUTCH	1		
16115	16115-1009	CAP-OIL FILLER	1		
52005	52005-1009	GAUGE,OIL LEVEL	1		
92027	92027-1858	COLLAR	4		
92046	92046-1010	BEARING-NEEDLE,HK1210	2		
92049	92049-1271	SEAL-OIL,TB12205.5	1		
92051	92051-005	SEAL-OIL,TB13225.5	1		
92055	92055-049	RING-O,31.5X2.6	1		
92065	92065-058	GASKET,10.5X16X1,DRAIN PLUG	1		
92075	92075-1681	DAMPER	4		
130	130G0612	BOLT-FLANGED,6X12	2		
132	132J0620	BOLT-FLANGED-SMALL	6		
132A	132J0625	BOLT-FLANGED-SMALL	15		
132B	132J0630	BOLT-FLANGED-SMALL	9		
410	410F0600	WASHER-PLAIN-SMALL,6MM,BLACK	4		
670	670B2018	O RING,18MM	1		
671	671B2540	O RING,40MM	1		



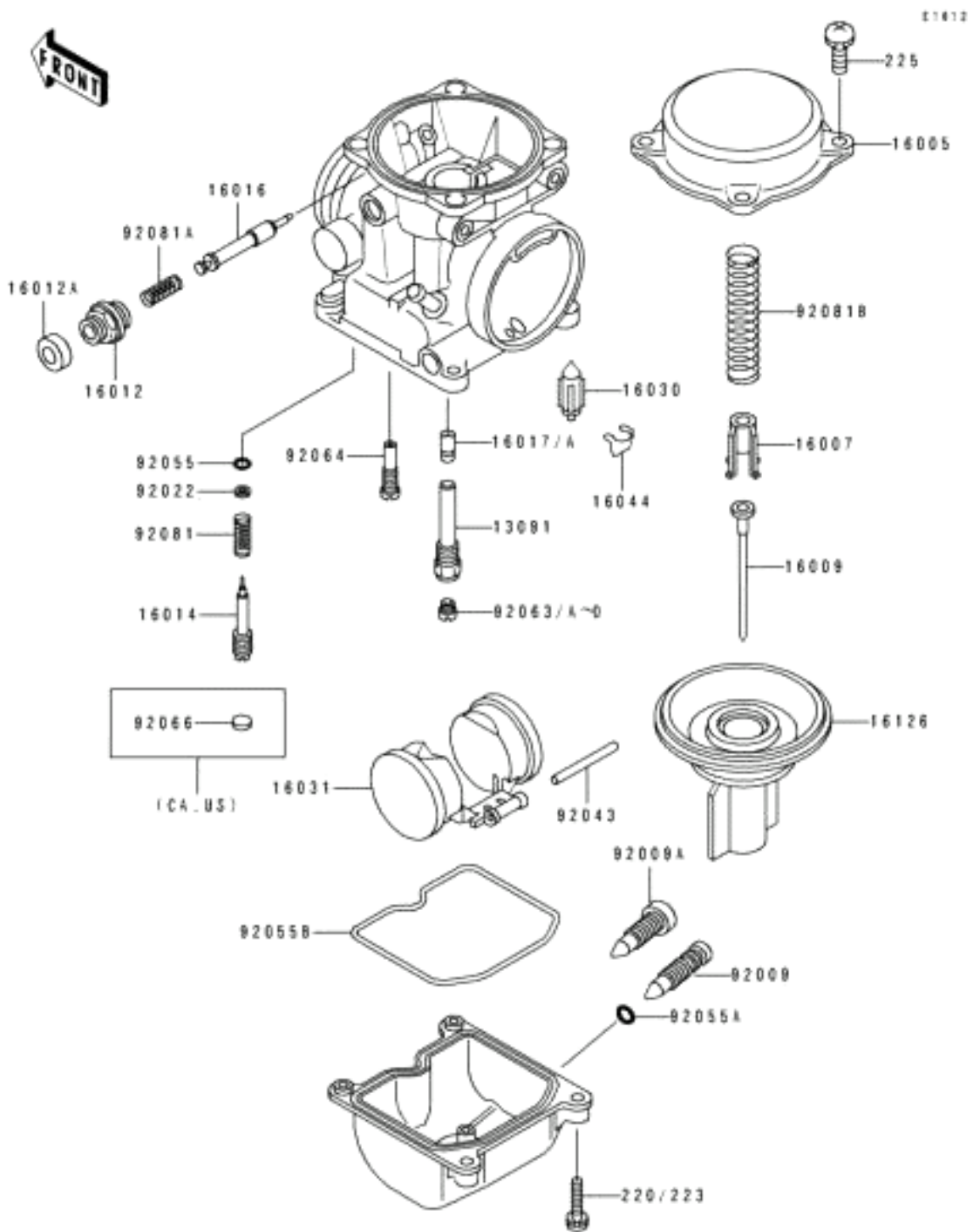
BREATHER COVER/OIL PAN

Ref #	Part #	Description	Qty	Spec Code	Price
11009	11009-1837	GASKET,OIL PAN	1		
14070	14070-1067	BODY-BREATHER	1		
16130	16130-1001	VALVE-ASSY-RELIEF	1		
27010	27010-1155	SWITCH,OIL PRESSURE	1		
49034	49034-1071	PAN-OIL	1		
92002	92002-1069	BOLT,6X45	1		
92037	92037-1679	CLAMP	1		
92055	92055-1089	RING-O,6MM	1		
92055A	92055-1284	RING-O,BREATHER BODY	1		
92065	92065-097	GASKET,12X22X2,DRAIN PLUG	1		
92066	92066-1174	PLUG,OIL DRAIN,12X15	1		
132	132J0625	BOLT-FLANGED-SMALL	10		



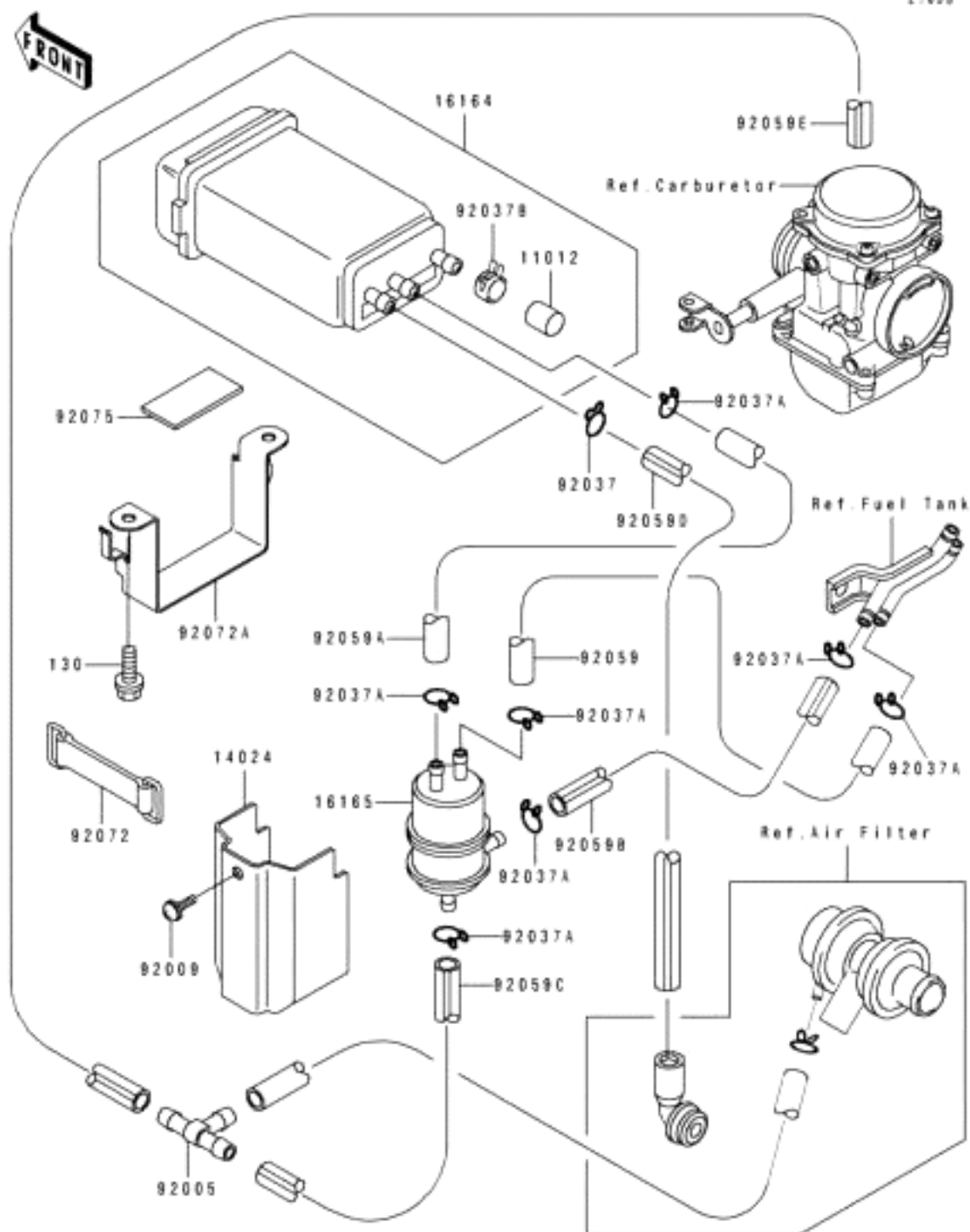
CARBURETOR (1/2)

Ref #	Part #	Description	Qty	Spec Code	Price
11044	11044-1313	BRACKET,CARBURETOR STAY,UPP	1		
11044A	11044-1314	BRACKET,CARBURETOR STAY,6MM	1		
11044B	11044-1546	BRACKET,THROTTLE CABLE	1		
11045	11045-1824	BRACKET,STARTER LEVER	1		
13091	13091-1382	HOLDER,THROTTLE STOP SCREW	1		
13168	13168-1360	LEVER	1		
15001	15001-1334	CARBURETOR-ASSY	1	[CA,US]	
15001A	15001-1335	CARBURETOR-ASSY	1	[CN]	
15002	15002-1492	CARBURETOR,LH	1	[CA,US]	
15002A	15002-1493	CARBURETOR,RH	1	[CA,US]	
15002B	15002-1494	CARBURETOR,LH	1	[CN]	
15002C	15002-1495	CARBURETOR,RH	1	[CN]	
92001	92001-1998	BOLT,THROTTLE ADJUST	1		
92002	92002-1552	BOLT,THROTTLE STOP SCREW	1		
92005	92005-1133	FITTING	1		
92005A	92005-1134	FITTING	1		
92009	92009-1129	SCREW,6X16	4		
92009A	92009-1262	SCREW	2		
92009B	92009-1365	SCREW,5X10	1		
92022	92022-1199	WASHER,6.1X11X0.8,POLYACETAL	4		
92022A	92022-1480	WASHER,PLAIN,STOP SPRING	1		
92037	92037-1075	CLAMP,FUEL TUBE	2		
92037A	92037-1477	CLAMP,TUBE	2		
92055	92055-1004	RING-O	2		
92055A	92055-1223	RING-O,FUEL FITTING	2		
92059	92059-1236	TUBE,FUEL,7.3X12.5X220	1		
92059A	92059-1465	TUBE,6.5X9.5X500	1		
92059B	92059-1634	TUBE,5X9X140	1		
92068	92068-006	PLUG,12X25	1	[CN]	
92081	92081-1620	SPRING,THROTTLE ADJUST UPP	1		
92081A	92081-1621	SPRING,THROTTLE ADJUST LWR	1		
92081B	92081-1875	SPRING,THROTTLE STOP SCREW	1		
92081C	92081-1876	SPRING	1		
92081D	92081-1893	SPRING,STARTER LEVER	1		
223	223C0420	SCREW-PAN-WS-CROS	1		
223A	223C0510	SCREW-PAN-WS-CROS	4		



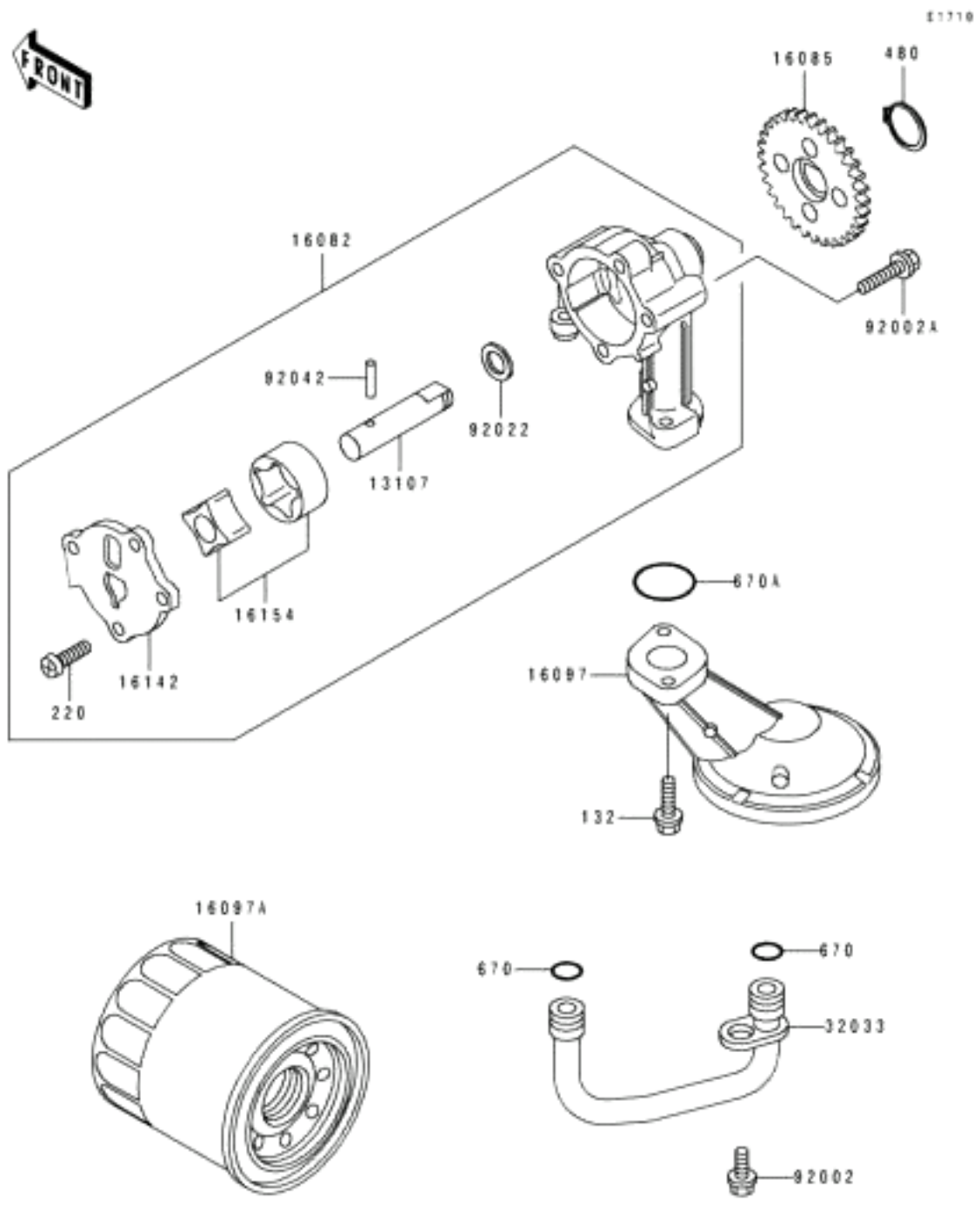
CARBURETOR PARTS (1/2)

Ref #	Part #	Description	Qty	Spec Code	Price
13091	13091-1406	HOLDER,NEEDLE JET	2		
16005	16005-1057	TOP-CHAMBER,MIXING,27/60	2		
16007	16007-1117	SEAT-SPRING,VALVE	2		
16009	16009-1342	NEEDLE-JET,N36N	2		
16012	16012-1051	CAP-STARTER PLUNGER	2		
16012A	16012-1052	CAP-STARTER PLUNGER	2		
16014	16014-1054	SCREW-PILOT AIR	2		
16016	16016-1061	PLUNGER,STARTER	2		
16017	16017-1059	JET-NEEDLE	2	[CA,US]	
16017A	16017-1208	JET-NEEDLE,#6	2	[CN]	
16030	16030-1007	VALVE-FLOAT	2		
16031	16031-1056	FLOAT	2		
16044	16044-007	CLAMP,FLOAT VALVE	2		
16126	16126-1173	VALVE,VACUUM,60PS	2		
92009	92009-1095	SCREW,DRAIN,M6X1.0	2		
92009A	92009-1551	SCREW,DRAIN,M6X0.75	2		
92022	92022-1003	WASHER,PLAIN	2		
92043	92043-1207	PIN,FLOAT	2		
92055	92055-1002	RING-O,PILOT ADJUST	2		
92055A	92055-1053	RING-O,DRAIN SCREW	2		
92055B	92055-1222	RING-O,FLOAT CHAMBER	2		
92063	92063-1014	JET-MAIN,#135	2	(RACING USE ONLY)	
92063A	92063-1069	JET-MAIN,2ND,#125	2	(RACING USE ONLY)	
92063B	92063-1074	JET-MAIN,2ND,#128	2	(RACING USE ONLY)	
92063C	92063-1075	JET-MAIN,#130	2		
92063D	92063-1076	JET-MAIN,#132	2	(RACING USE ONLY)	
92064	92064-1101	JET-PILOT,#35	2		
92066	92066-1051	PLUG,PILOT AIR SCREW,6.9X2	2	[CA,US]	
92081	92081-1002	SPRING,PILOT ADJUST SCREW	2		
92081A	92081-1761	SPRING,STARTER PLUNGER	2		
92081B	92081-1874	SPRING,VACUUM VALVE	2		
220	220D0414	SCREW-PAN-CROS	8	[CN]	
223	223C0416	SCREW-PAN-WS-CROS	8	[CA,US]	
225	225C0418	SCREW-PAN-WSP-CROS	7		



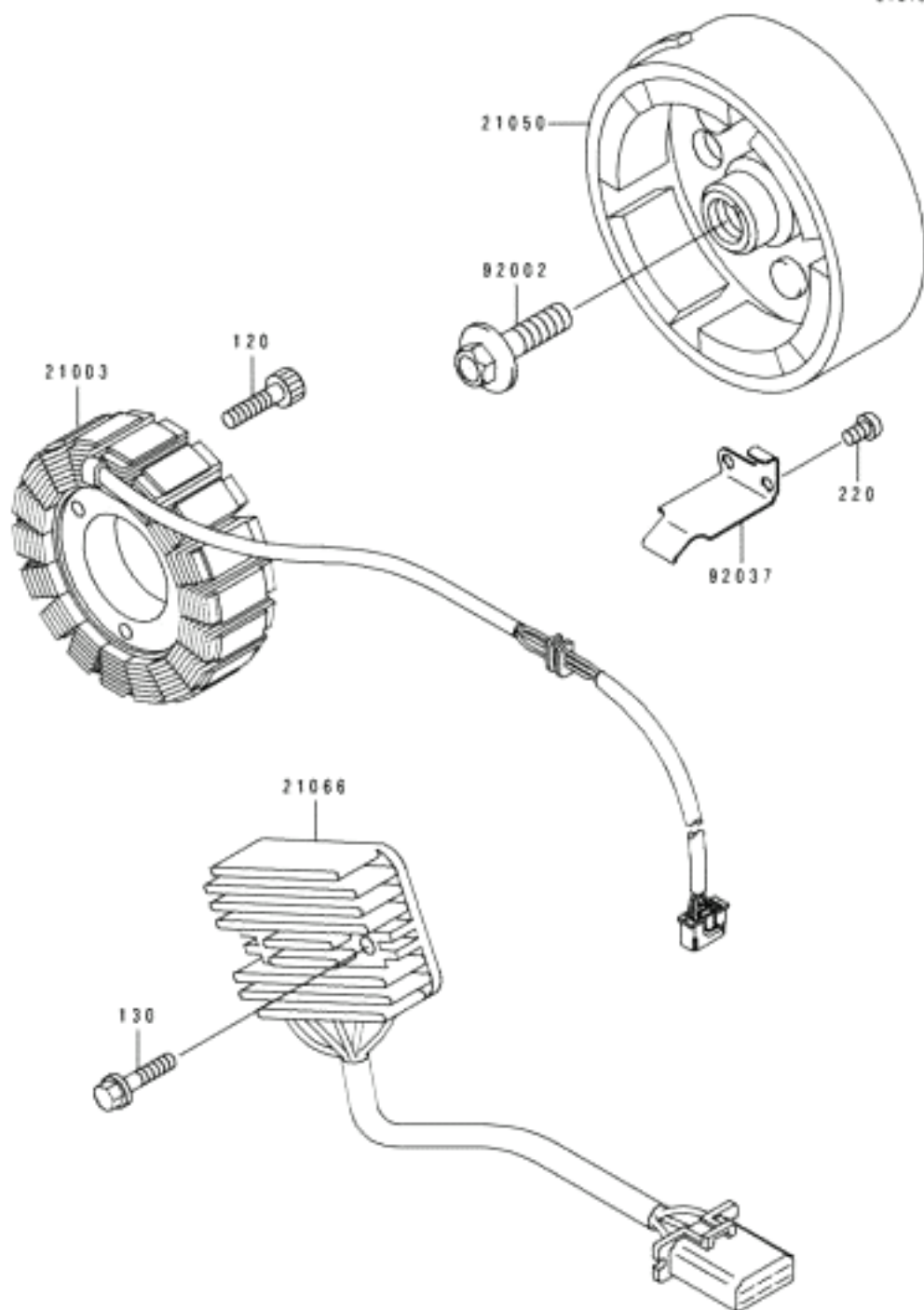
FUEL EVAPORATIVE SYSTEM

Ref #	Part #	Description	Qty	Spec Code	Price
11012	11012-1388	CAP,CANISTER	1	[CA]	
14024	14024-1399	COVER,SEPARATOR	1	[CA]	
16164	16164-1054	CANISTER	1	[CA]	
16165	16165-1001	SEPARATOR	1	[CA]	
92005	92005-1017	FITTING,TUBE,T-TYPE	1	[CA]	
92009	92009-1402	SCREW,6X10	1	[CA]	
92037	92037-1104	CLAMP,HOSE	1	[CA]	
92037A	92037-147	CLAMP,TUBE	7	[CA]	
92037B	92037-1512	CLAMP,CANISTER	1	[CA]	
92059	92059-1496	TUBE,5X10X170,BLUE	1	[CA]	
92059A	92059-1499	TUBE,5X10X320,BLUE	1	[CA]	
92059B	92059-1809	TUBE,5X10X250,RED	1	[CA]	
92059C	92059-1824	TUBE,5X10X380	1	[CA]	
92059D	92059-1825	TUBE,7X12X410	1	[CA]	
92059E	92059-1826	TUBE,5X10X160	1	[CA]	
92072	92072-066	BAND,L=50	1	[CA]	
92072A	92072-1216	BAND,CANISTER	1	[CA]	
92075	92075-1830	DAMPER	1	[CA]	
130	130B0612	BOLT-FLANGED,6X12	2	[CA]	



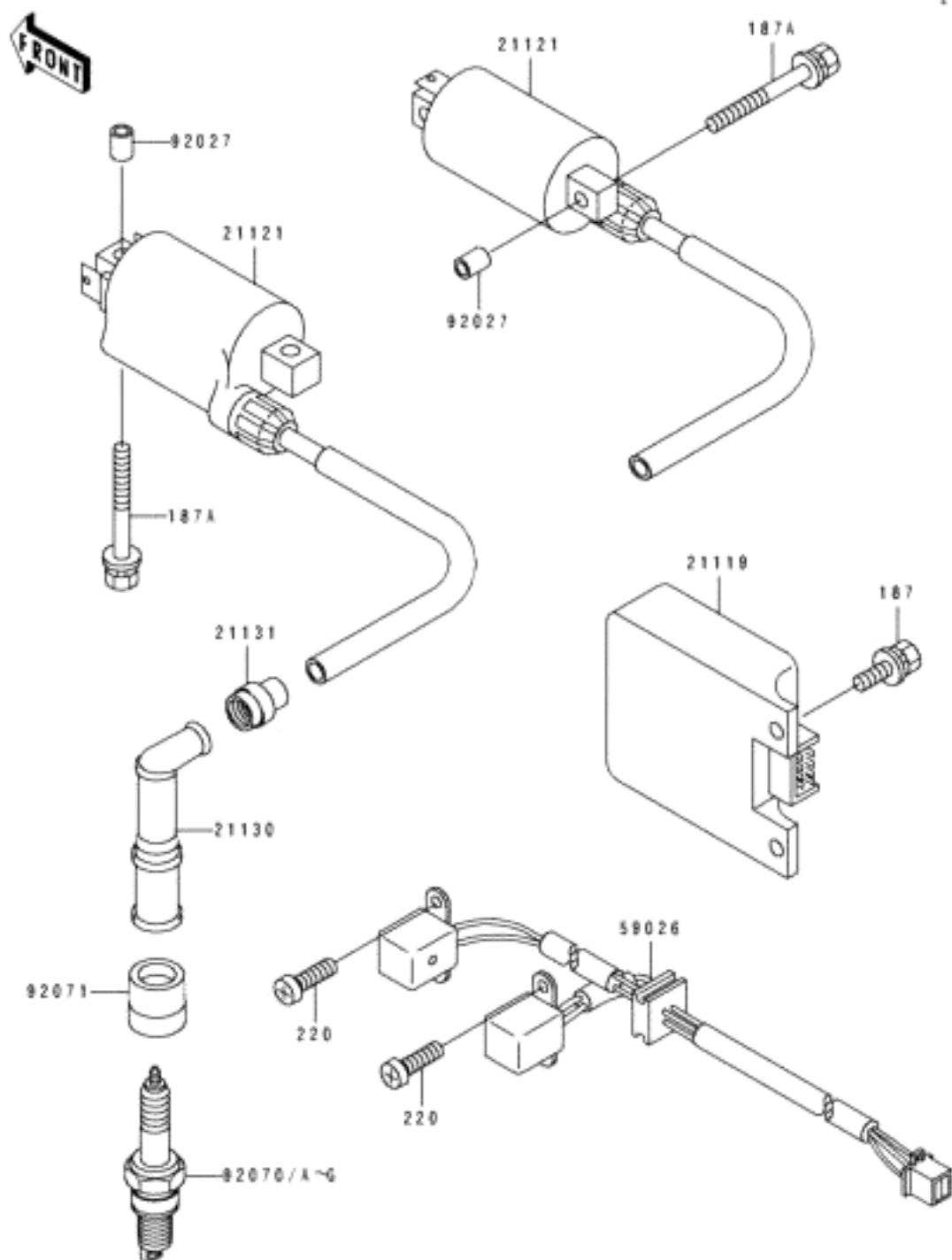
OIL PUMP/OIL FILTER

Ref #	Part #	Description	Qty	Spec Code	Price
13107	13107-1202	SHAFT,OIL PUMP	1		
16082	16082-1085	PUMP-ASSY-OIL	1		
16085	16085-1143	GEAR,OIL PUMP	1		
16097	16097-1056	FILTER-ASSY-OIL	1		
16097A	16097-1064	FILTER-ASSY-OIL	1		
16142	16142-1077	COVER-PUMP,OIL	1		
16154	16154-1066	ROTOR-PUMP,OIL	1		
32033	32033-1540	PIPE	1		
92002	92002-1572	BOLT,6X12	1		
92002A	92002-1609	BOLT,6X25	3		
92022	92022-311	WASHER,11.2X15X1	1		
92042	92042-014	PIN,DOWEL,4X15.8	1		
132	132G0620	BOLT-FLANGED-SMALL	2		
220	220B0616	SCREW-PAN-CROS,6X16	4		
480	480J1100	CIRCLIP-TYPE-C,11MM	1		
670	670B2010	O RING,10MM	2		
670A	670D2022	O RING,22MM	1		



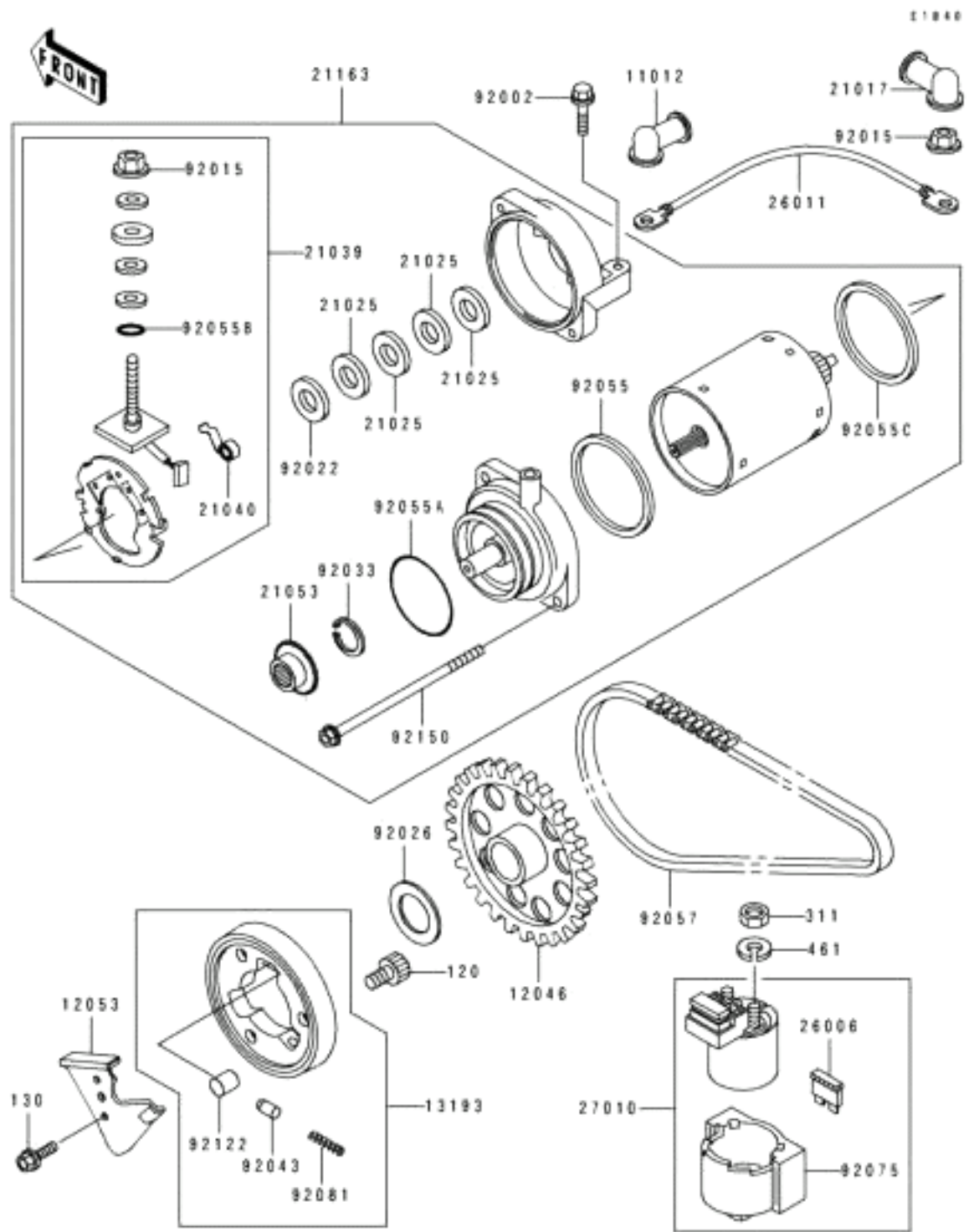
GENERATOR

Ref #	Part #	Description	Qty	Spec Code	Price
21003	21003-1123	STATOR	1		
21050	21050-1110	FLYWHEEL	1		
21066	21066-1030	REGULATOR-VOLTAGE	1		
92002	92002-1457	BOLT,FLANGED,10X36	1		
92037	92037-1630	CLAMP,GENERATOR LEAD	1		
120	120P0625	BOLT-SOCKET,6X25	3		
130	130B0625	BOLT-FLANGED,6X25	2		
220	220B0510	SCREW-PAN-CROS	2		



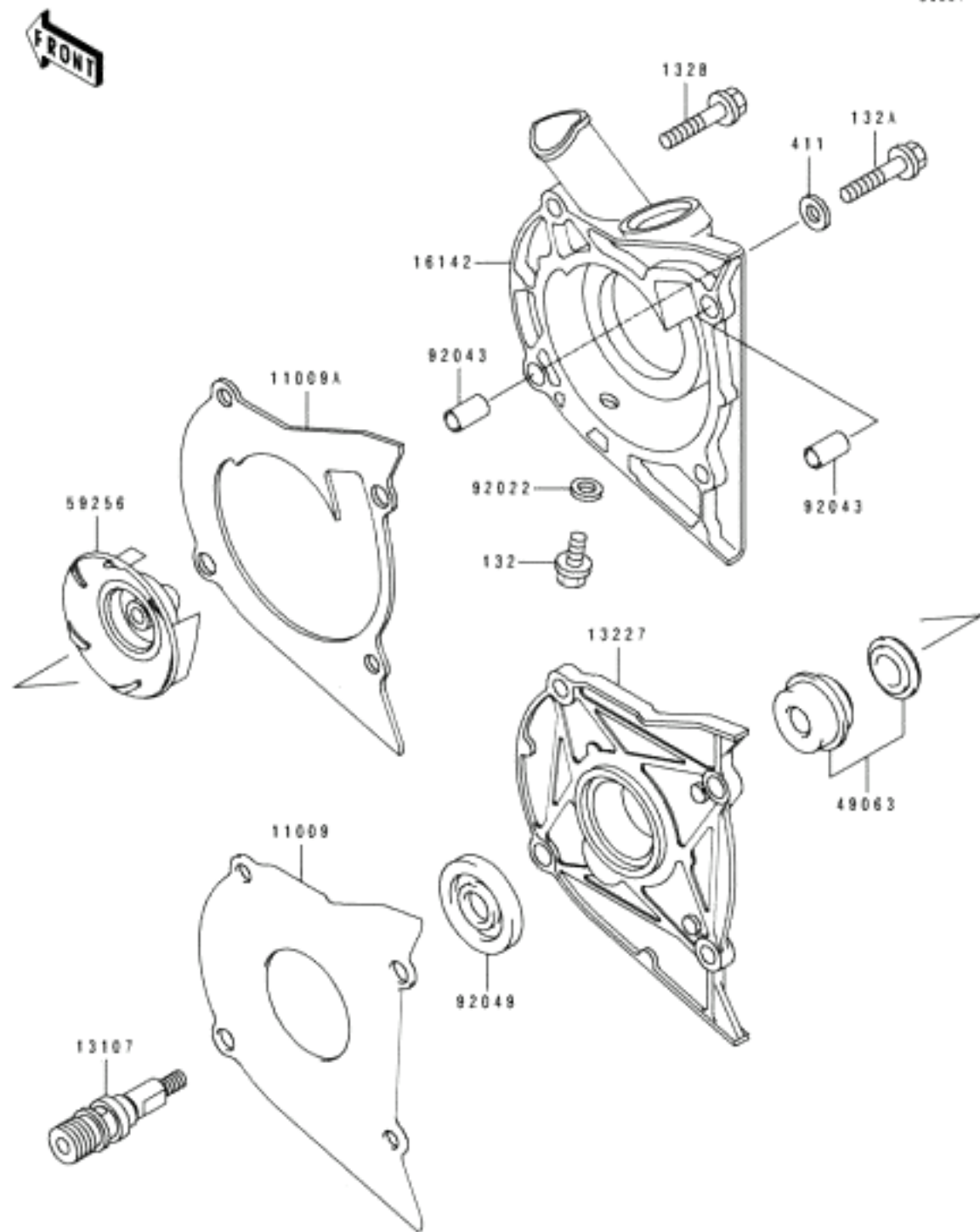
IGNITION SYSTEM

Ref #	Part #	Description	Qty	Spec Code	Price
21119	21119-1219	IGNITER	1		
21121	21121-1153	COIL-IGNITION	2		
21130	21130-1068	CAP-SPARK PLUG	2		
21131	21131-005	GROMMET,HIGH TENSION	2		
59026	59026-1066	COIL-PULSING	1		
92027	92027-103	COLLAR,6.8X10X6	4		
92070		PLUG-SPARK,X24ESR-U(ND)	2	[CN]	
92070A	92070-1011	PLUG-SPARK,D8EA(NGK)	2	[CA,US]	
92070B	92070-1019	PLUG-SPARK,DR8ES(NGK)	2	[CN]	
92070C		PLUG-SPARK,X24ES-U(ND)	2	[CA,US]	
92070D	92070-1034	PLUG-SPARK,D9EA(NGK)	2	[CA,US]	
92070E		PLUG-SPARK,X27ES-U(ND)	2	[CA,US]	
92070F		PLUG-SPARK,X27ESR-U(ND)	2	[CN]	
92070G	92070-1116	PLUG-SPARK,DR8ES-L(NGK)	2	[CN]	
92071	92071-1146	GROMMET,PLUG CAP	2		
187	187B0618	BOLT-UPSET-WSP	2		
187A	187G0625	BOLT-UPSET-WSP	4		
220	220B0510	SCREW-PAN-CROS	4		



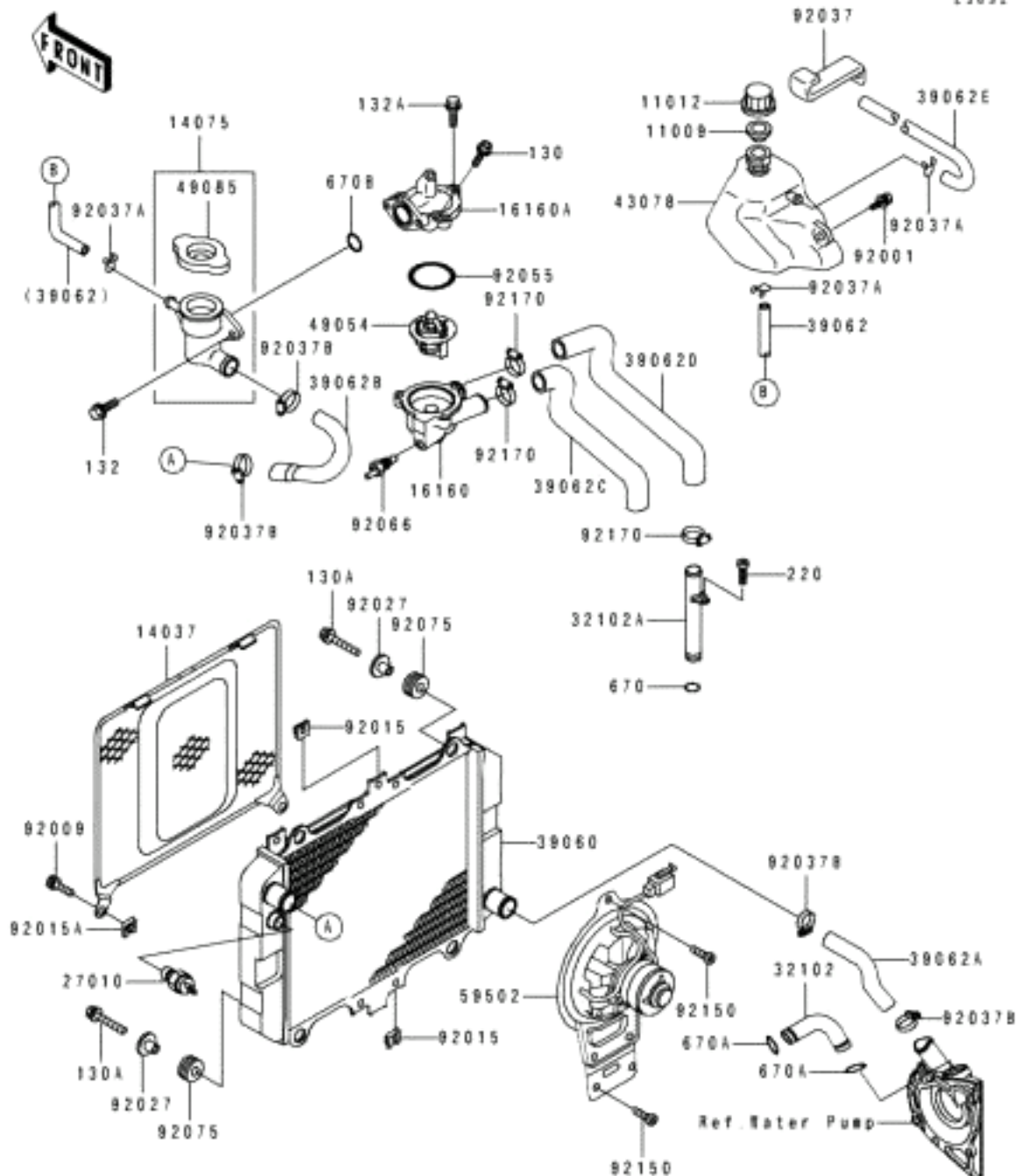
STARTER MOTOR

Ref #	Part #	Description	Qty	Spec Code	Price
11012	11012-1354	CAP,TERMINAL	1		
12046	12046-1072	SPROCKET,ONEWAY CLUTCH,46T	1		
12053	12053-1214	GUIDE-CHAIN	1		
13193	13193-1060	CLUTCH-ASSY-ONEWAY	1		
21017	21017-017	GROMMET,STARTER TERMINAL	1		
21025	21025-011	WASHER,9.1X18X0.2	4		
21039	21039-1062	BRUSH,CARBON	1		
21040	21040-1057	SPRING-BRUSH	2		
21053	21053-1057	SPROCKET-ASSY	1		
21163	21163-1163	STARTER-ELECTRIC	1		
26006	26006-1006	FUSE,30A-G	1		
26011	26011-1135	WIRE-LEAD,STARTER MOTOR	1		
27010	27010-1213	SWITCH,MAGNETIC	1		
92002	92002-1086	BOLT,6X25	2		
92015	92015-1476	NUT,STARTER MOTOR	2		
92022	92022-1132	WASHER,9.1X18X0.8	1		
92026	92026-1285	SPACER,25.2X40X1.0	1		
92033	92033-034	RING-SNAP,17MM	1		
92043	92043-087	PIN	3		
92055	92055-1086	RING-O,64MM	1		
92055A	92055-1313	RING-O,42.8MM	1		
92055B	92055-1370	RING-O,4.5X2.0	1		
92055C	92055-1381	RING-O,STARTER MOTOR	1		
92057	92057-1197	CHAIN,STARTER,BF05MX64L	1		
92075	92075-1863	DAMPER,MAGNETIC SWITCH	1		
92081	92081-110	SPRING	3		
92122	92122-004	ROLLER,15X13	3		
92150	92150-1138	BOLT,STARTER MOTOR	2		
120	120P0816	BOLT-SOCKET	3		
130	130G0620	BOLT-FLANGED,6X20	2		
311	311B0600	NUT-HEX,6MM	2		
461	461F0600	WASHER-SPRING,6MM	2		



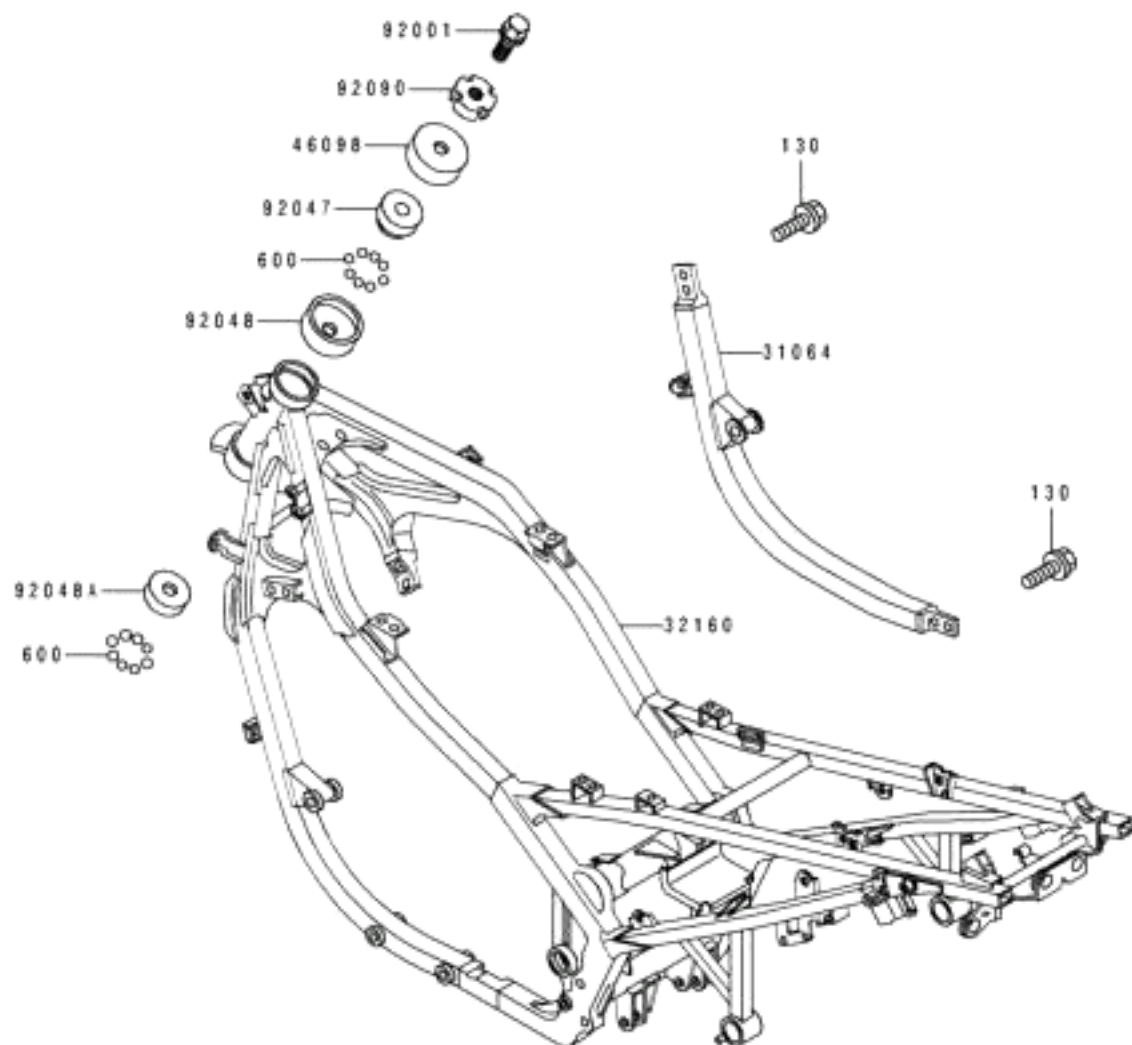
WATER PUMP

Ref #	Part #	Description	Qty	Spec Code	Price
11009	11009-1838	GASKET,PUMP HOUSING	1		
11009A	11009-1839	GASKET,PUMP COVER	1		
13107	13107-1203	SHAFT,IMPELLER	1		
13227	13227-1064	HOUSING,WATER PUMP	1		
16142	16142-1073	COVER-PUMP	1		
49063	49063-1054	SEAL-MECHANICAL	1		
59256	59256-1060	IMPELLER	1		
92022	92022-304	WASHER,6.2X11X1	1		
92043	92043-1263	PIN,6.2X8X14	2		
92049	92049-1215	SEAL-OIL,SC12365	1		
132	132J0612	BOLT-FLANGED-SMALL	1		
132A	132J0630	BOLT-FLANGED-SMALL	1		
132B	132J0635	BOLT-FLANGED-SMALL	3		
411	411F0600	WASHER-PLAIN,6MM,BLACK	1		



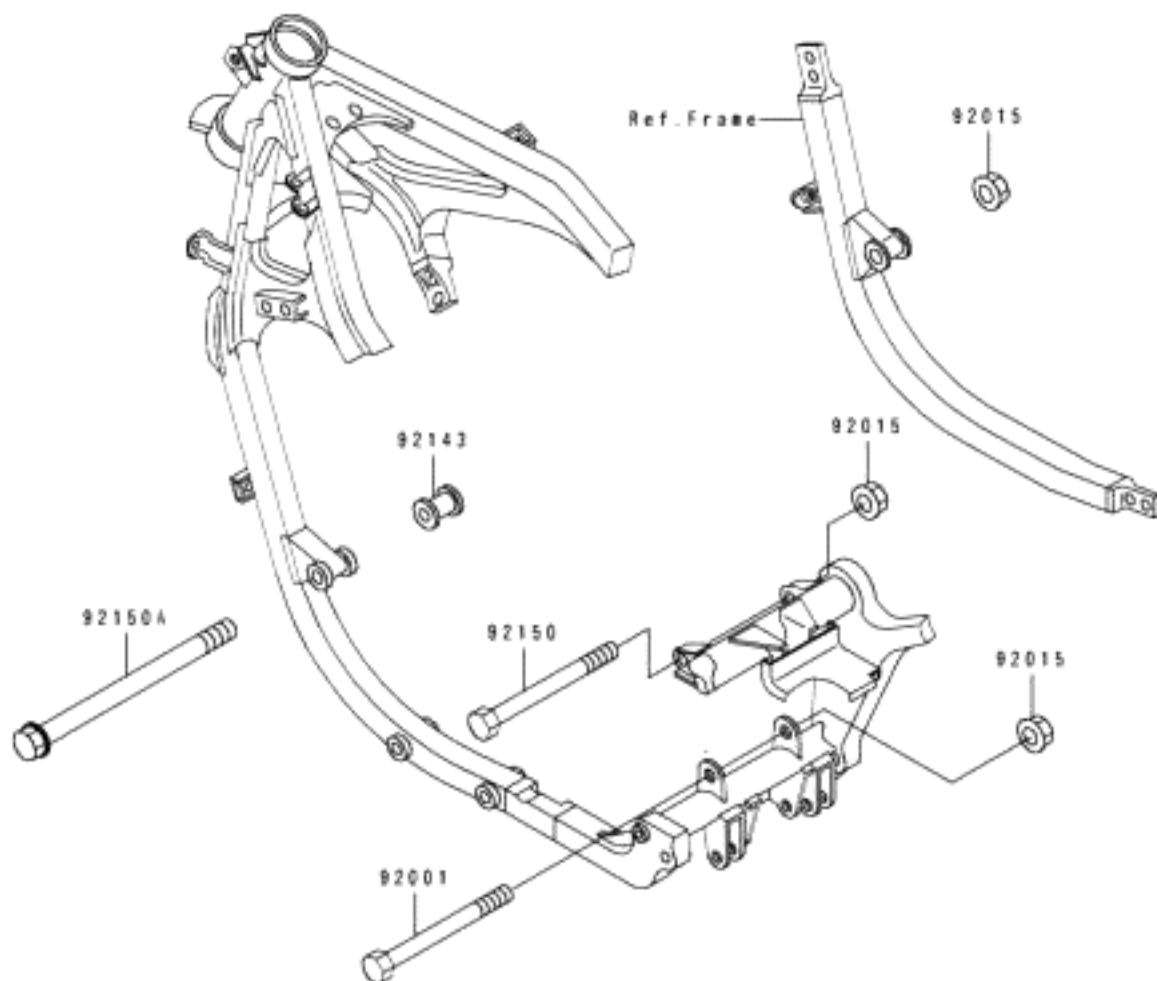
RADIATOR/FAN/WATER PUMP (1/2)

Ref #	Part #	Description	Qty	Spec Code	Price
11009	11009-1145	GASKET,RESERVOIR TANK CAP	1		
11012	11012-1084	CAP	1		
14037	14037-1143	SCREEN	1		
14075	14075-1085	CAP-ASSY,RADIATOR	1		
16160	16160-1138	BODY,THERMOSTAT,LWR	1		
16160A	16160-1170	BODY,THERMOSTAT,UPP	1		
27010	27010-1304	SWITCH,THERMOSTAT	1		
32102	32102-1405	PIPE,PUMP-CYLINDER	1		
32102A	32102-1473	PIPE	2		
39060	39060-1084	RADIATOR	1		
39062	39062-1195	HOSE-COOLING,L=447	1		
39062A	39062-1222	HOSE-COOLING,RADIATOR-PUMP	1		
39062B	39062-1223	HOSE-COOLING,CAP-RADIATOR	1		
39062C	39062-1224	HOSE-COOLING,THERMO-HEAD,LH	1		
39062D	39062-1225	HOSE-COOLING,THERMO-HEAD,RH	1		
39062E	39062-1257	HOSE-COOLING	1		
43078	43078-1084	RESERVOIR	1		
49054	49054-1059	THERMOSTAT	1		
49085	49085-1062	CAP-ASSY-PRESSURE	1		
59502	59502-1070	FAN-ASSY	1		
92001	92001-1516	BOLT,W/WASHER,6X12	2		
92009	92009-1480	SCREW,6X12	2		
92015	92015-1487	NUT	3		
92015A	92015-1758	NUT,6MM	2		
92027	92027-1651	COLLAR,FLANGED,L=12.1,BLACK	4		
92037	92037-1316	CLAMP,HARNESS	1		
92037A	92037-147	CLAMP,TUBE	3		
92037B	92037-1989	CLAMP,COOLING HOSE	4		
92055	92055-1279	RING-O,44.7X2.4	1		
92066	92066-1118	PLUG,SENSOR,WATER	1		
92075	92075-277	DAMPER	4		
92150	92150-1186	BOLT,6X12	3		
92170	92170-1077	CLAMP,COOLING HOSE	4		
130	130B0614	BOLT-FLANGED	2		
130A	130J0620	BOLT-FLANGED	4		
132	132G0616	BOLT-FLANGED-SMALL	2		
132A	132G0620	BOLT-FLANGED-SMALL	3		
220	220B0612	SCREW-PAN-CROS,6X12	2		
670	670B2014	O RING,14MM	2		
670A	670B2018	O RING,18MM	2		
670B	670B2020	O RING,20MM	1		



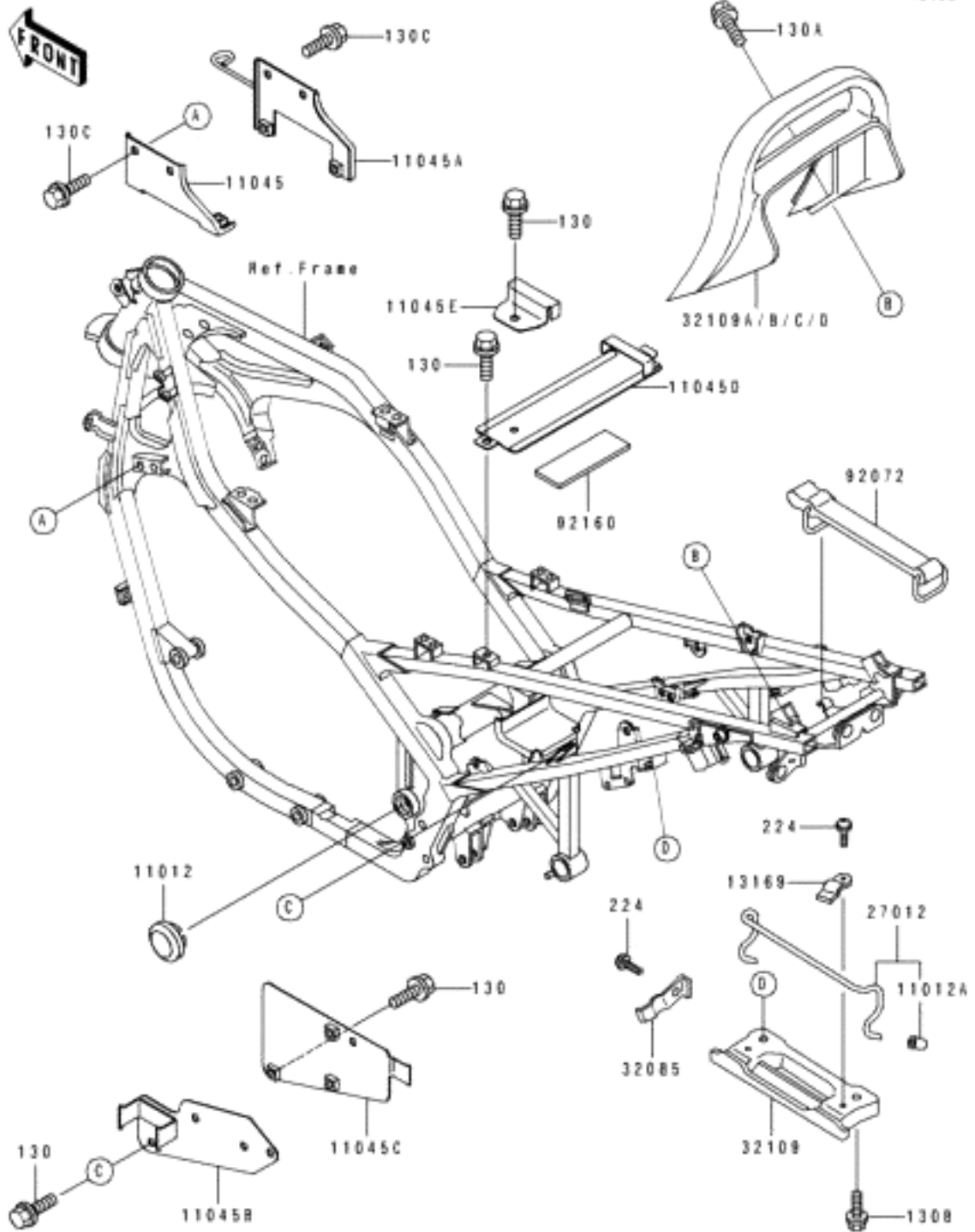
FRAME

Ref #	Part #	Description	Qty	Spec Code	Price
31064	31064-1107	PIPE-COMP,FRAME,RH	1		
32160	32160-1036	FRAME-COMP	1		
46098	46098-016	CAP,STEERING STEM	1		
92001	92001-1488	BOLT,FLANGED,16X22	1		
92047	92047-011	RACE,STEERING STEM BEARING	1		
92048	92048-006	RACE,STEERING STEM BEARING	1		
92048A	92048-008	RACE,STEERING STEM BEARING	1		
92090	92090-007	NUT,30MM	1		
130	130J1020	BOLT-FLANGED,10X20	4		
600	600A0800	BALL-STEEL,1/4"	39		



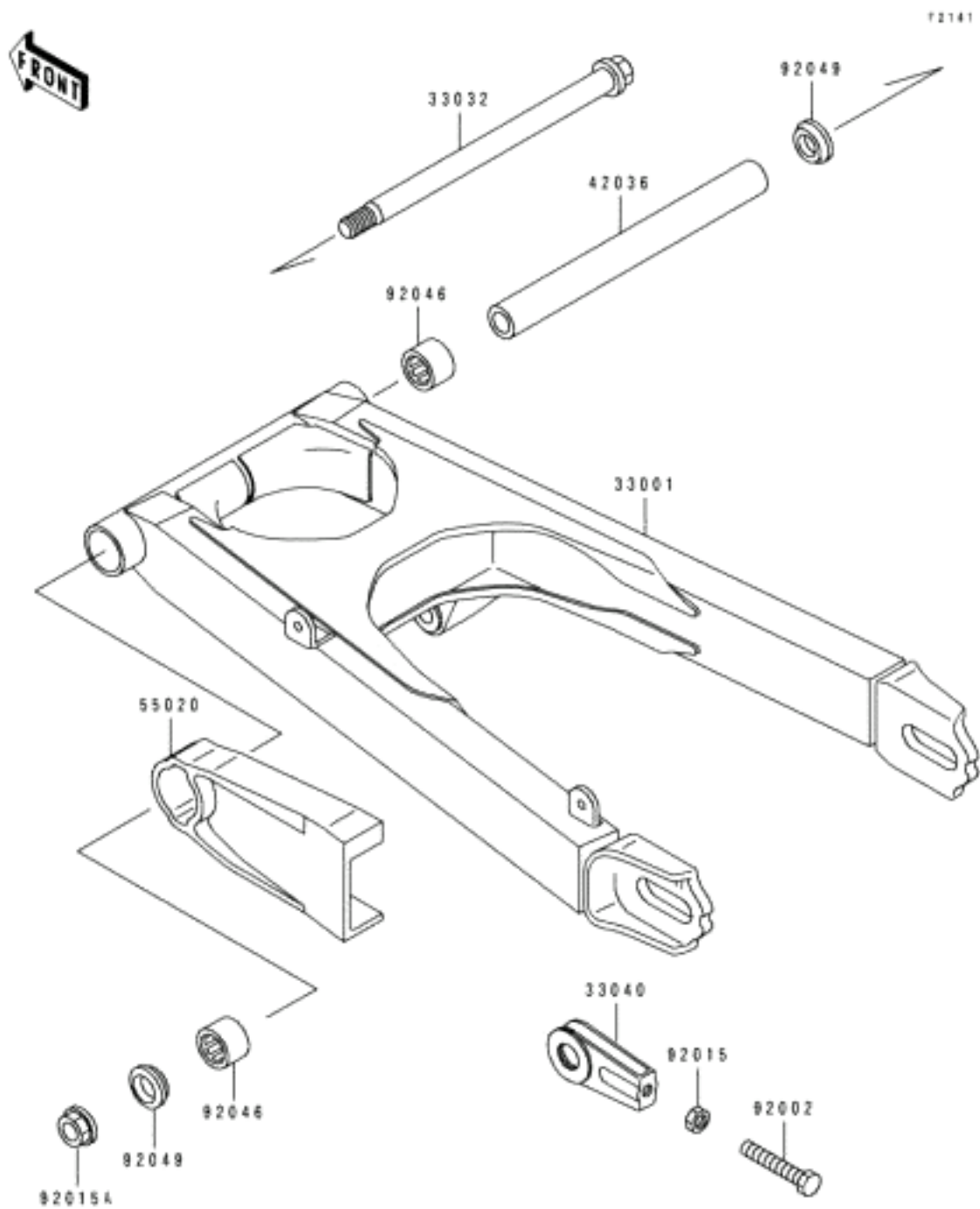
FRAME FITTINGS

Ref #	Part #	Description	Qty	Spec Code	Price
92001	92001-1541	BOLT,10X179	1		
92015	92015-1180	NUT,FLANGED,10MM	3		
92143	92143-1276	COLLAR,L=34	1		
92150	92150-1222	BOLT,10X165	1		
92150A	92150-1223	BOLT,FLANGED,10X295	1		



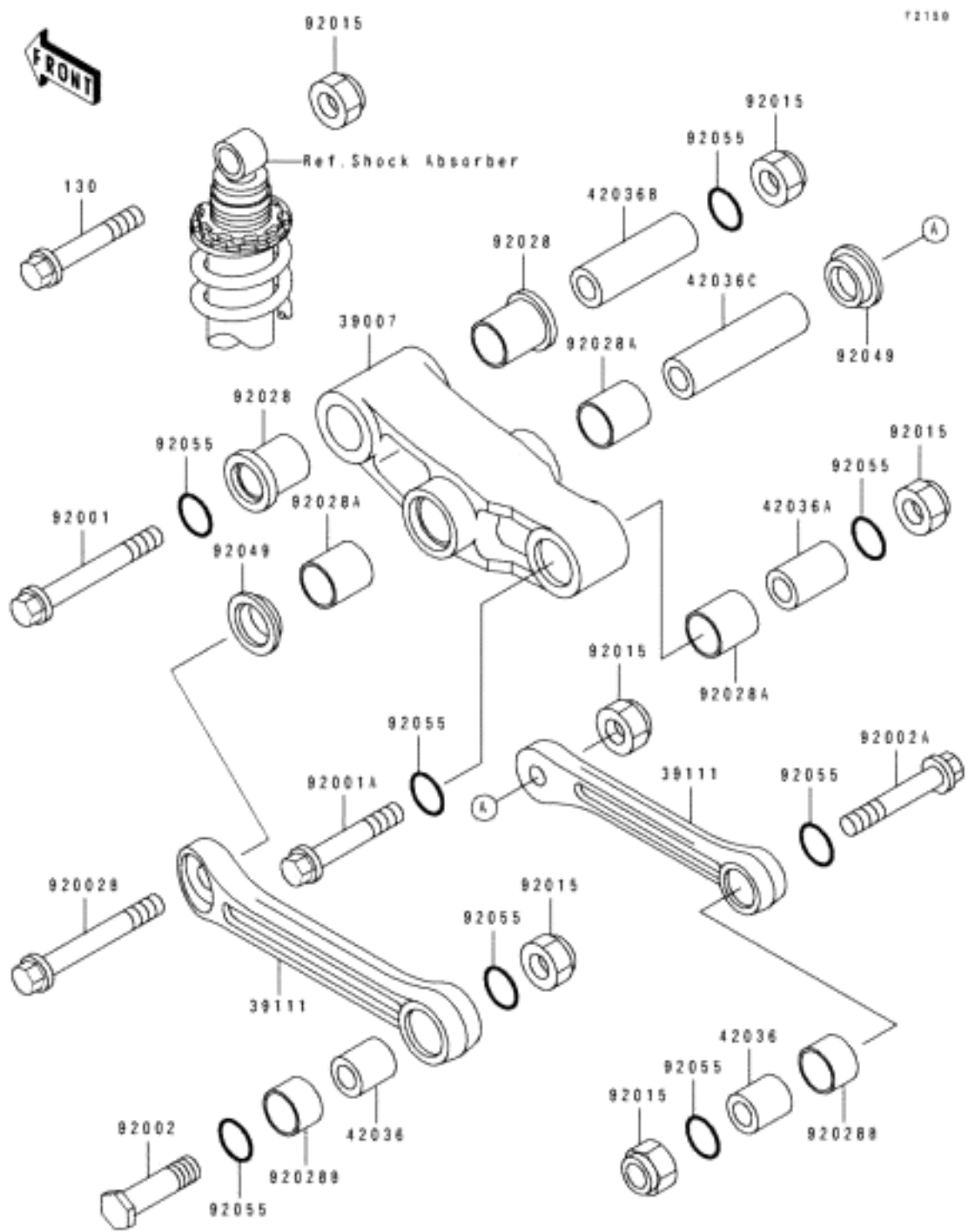
ELECTRO BRACKET

Ref #	Part #	Description	Qty	Spec Code	Price
11012	11012-1558	CAP,SWING ARM BRACKET	2		
11012A	11012-1589	CAP,BUNGEE CORD HOOK	4		
11045	11045-1419	BRACKET,IGNITION COIL,LH	1		
11045A	11045-1420	BRACKET,IGNITION COIL,RH	1		
11045B	11045-1421	BRACKET,REGULATOR	1		
11045C	11045-1422	BRACKET,IGNITER	1		
11045D	11045-1423	BRACKET,BATTERY BAND	1		
11045E	11045-1424	BRACKET,JUNCTION BOX	1		
13169	13169-1760	PLATE,GRIP	4		
27012	27012-1311	HOOK,BUNGEE CORD	2		
32085	32085-1187	STOPPER,HOOK	2		
32109	32109-1108	GRIP-FRAME	2		
32109C	32109-1156-M4	GRIP-FRAME,TAIL,L.P.BLUE	1		
32109D	32109-1156-SM	GRIP-FRAME,TAIL,P.T.GREEN	1		
92072	92072-1085	BAND	1		
92160	92160-1094	DAMPER,BATTERY	1		
130	130B0608	BOLT-FLANGED,6X8	6		
130A	130D0814	BOLT-FLANGED	2		
130B	130G0814	BOLT-FLANGED,8X14	4		
130C	130J0614	BOLT-FLANGED,6X14,BLACK	4		
224	224C0508	SCREW-PAN-WP-CROS	6		



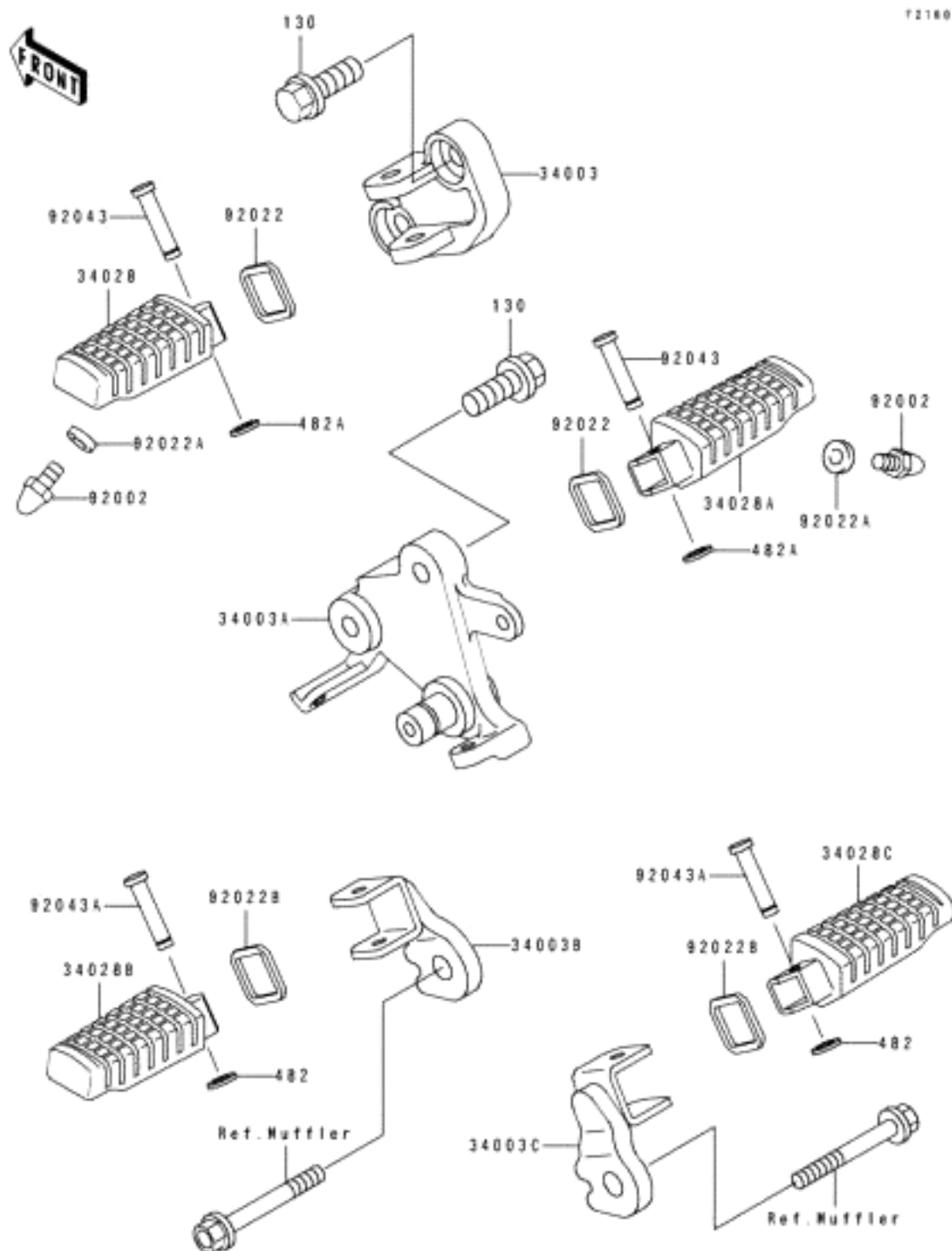
SWINGARM

Ref #	Part #	Description	Qty	Spec Code	Price
33001	33001-1300-CE	ARM-COMP-SWING,SILVER NO.25	1		
33032	33032-1109	SHAFT-SWING ARM	1		
33040	33040-043	ADJUSTER-CHAIN	2		
42036	42036-1212	SLEEVE,14.1X22X220	1		
55020	55020-1218	GUARD,CHAIN	1		
92002	92002-1825	BOLT,8X55	2		
92015	92015-1364	NUT,8MM	2		
92015A	92015-1407	NUT,14MM	1		
92046	92046-1162	BEARING-NEEDLE,F-2220	2		
92049	92049-1254	SEAL-OIL,MHA22 28 5.7F	2		



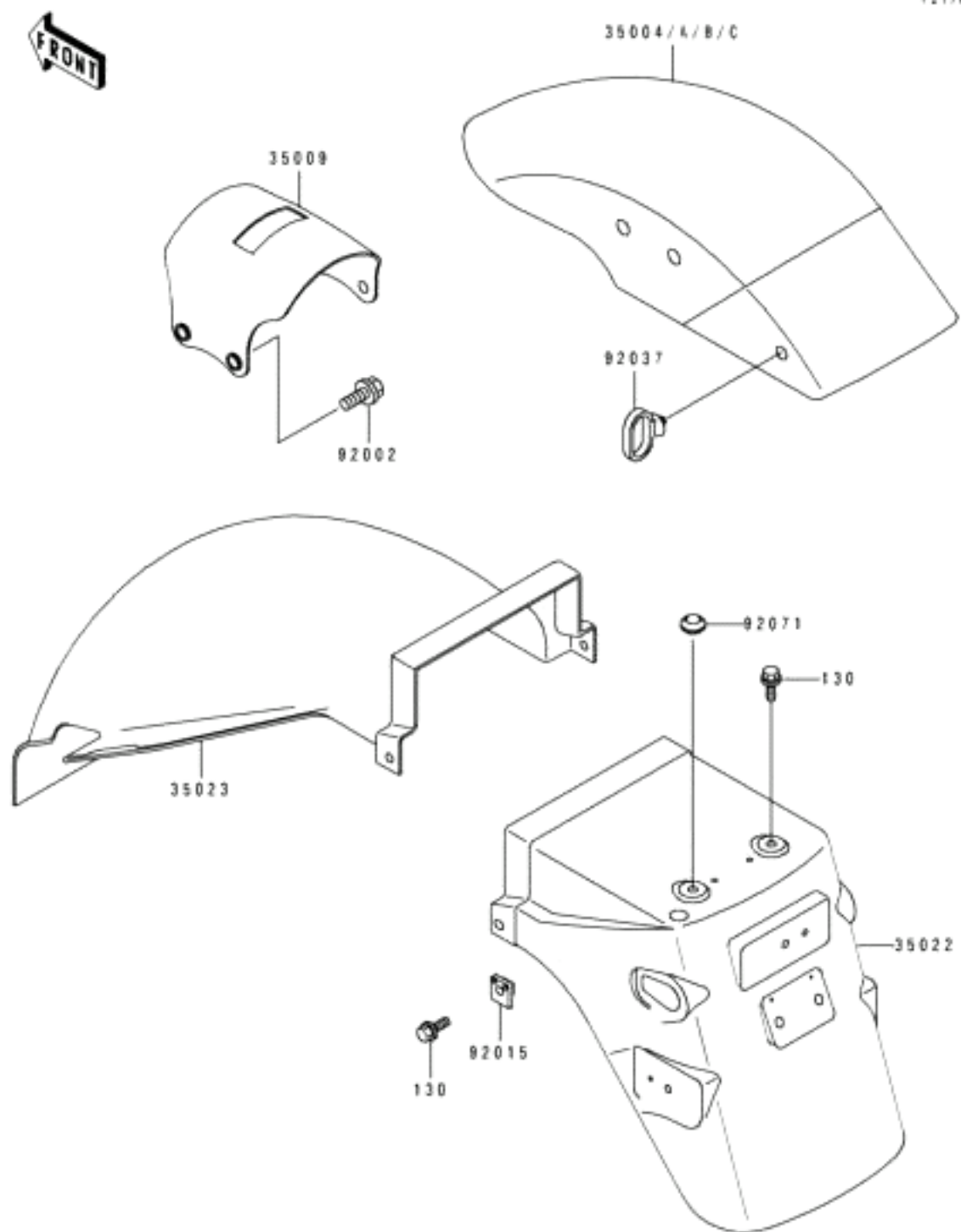
REAR SUSPENSION

Ref #	Part #	Description	Qty	Spec Code	Price
39007	39007-1120	ARM-SUSP,UNI TRAK	1		
39111	39111-1072	ROD-TIE,UNI TRAK	2		
42036	42036-1076	SLEEVE,12.1X20X22	2		
42036A	42036-1077	SLEEVE,ARM,RR	1		
42036B	42036-1078	SLEEVE,ARM,FR	1		
42036C	42036-1102	SLEEVE,12.1X20X74	1		
92001	92001-1937	BOLT,12X90	1		
92001A	92001-1938	BOLT,12X55	1		
92002	92002-1065	BOLT,12X45	1		
92002A	92002-1885	BOLT,FLANGED,12X60	1		
92002B	92002-1886	BOLT,FLANGED,12X100	1		
92015	92015-1375	NUT,12MM	6		
92028	92028-1597	BUSHING	2		
92028A	92028-1598	BUSHING	3		
92028B	92028-1599	BUSHING	2		
92049	92049-1109	SEAL-OIL,ARM,CNT	2		
92055	92055-1215	RING-O,19.8X2.2	8		
130	130G1250	BOLT-FLANGED	1		



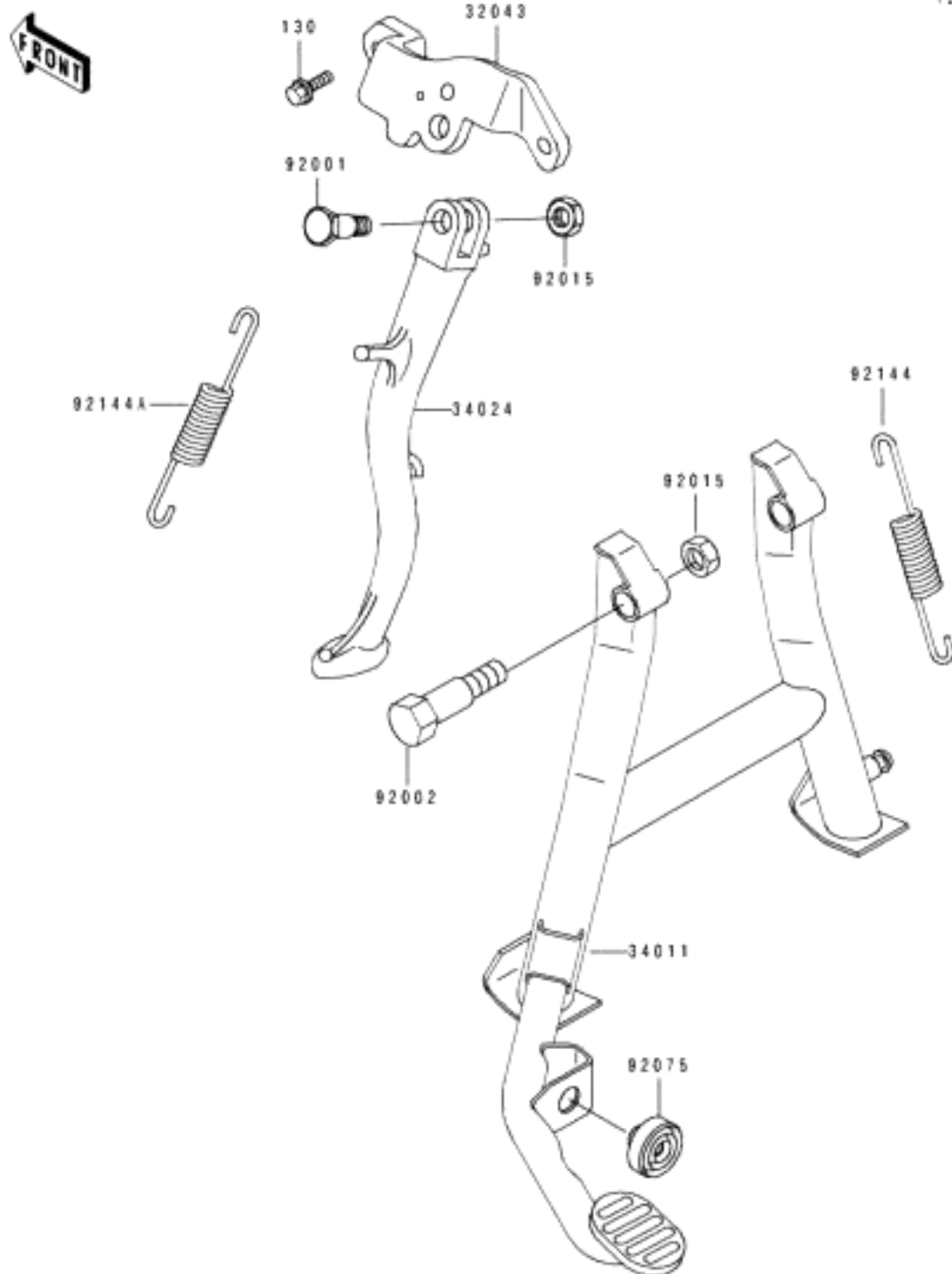
FOOTRESTS

Ref #	Part #	Description	Qty	Spec Code	Price
34003	34003-1319	HOLDER-STEP,FR,LH	1		
34003A	34003-1320	HOLDER-STEP,FR,RH	1		
34003B	34003-1321	HOLDER-STEP,RR,LH	1		
34003C	34003-1322	HOLDER-STEP,RR,RH	1		
34028	34028-1193	STEP,FR,LH	1		
34028A	34028-1194	STEP,FR,RH	1		
34028B	34028-1195	STEP,RR,LH	1		
34028C	34028-1196	STEP,RR,RH	1		
92002	92002-1742	BOLT,BANK SENSOR	2		
92022	92022-1314	WASHER,STEP FITTING	2		
92022A	92022-1506	WASHER,6.5X11.5X2	2		
92022B	92022-1797	WASHER,STEP FITTING	2		
92043	92043-1326	PIN,8X40.5	2		
92043A	92043-1327	PIN,6X30	2		
130	130J0820	BOLT-FLANGED,8X20	4		
482	482L5000	CIRCLIP-TYPE-E,5MM	2		
482A	482L7000	CIRCLIP-TYPE-E	2		



FENDERS

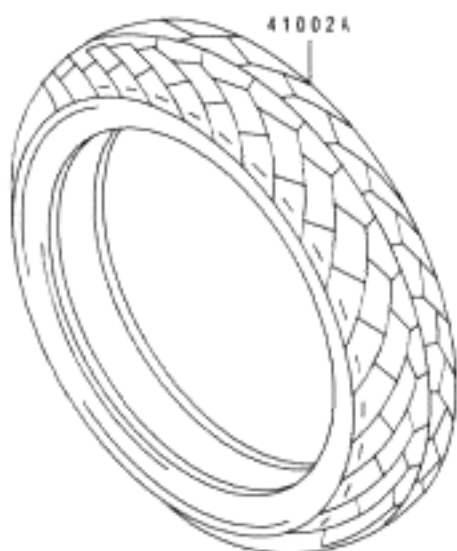
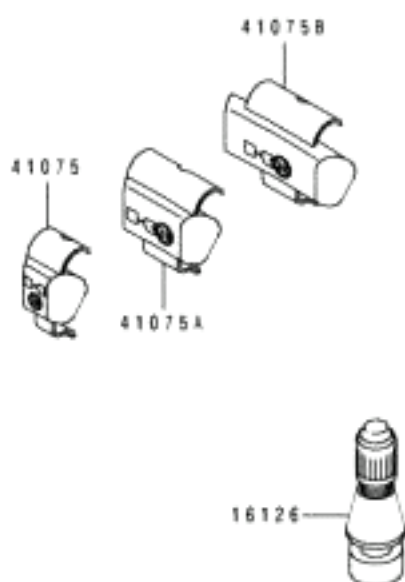
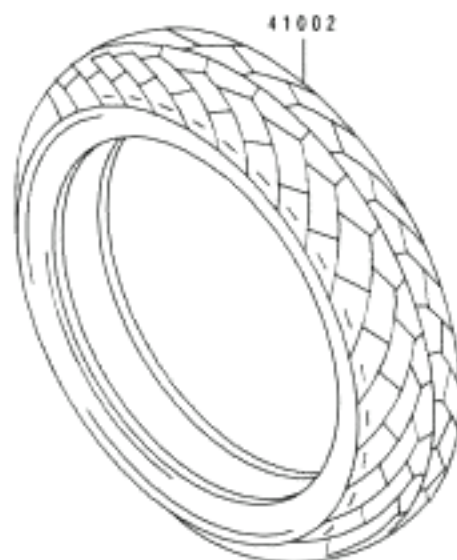
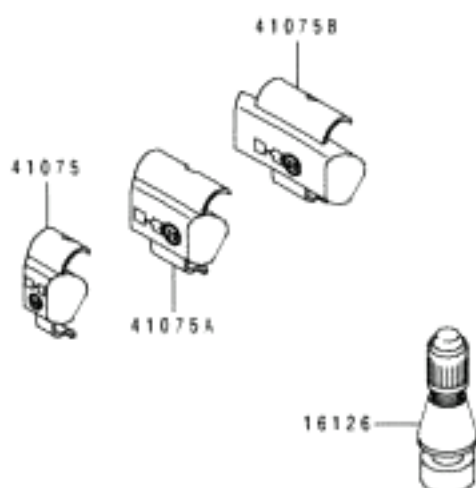
Ref #	Part #	Description	Qty	Spec Code	Price
35004A	35004-1188-M3	FENDER-FRONT,BLACK/BLUE	1		
35004C	35004-1188-RY	FENDER-FRONT,GREEN/BLACK	1		
35009	35009-1070	BRACE,FRONT FENDER	1		
35022	35022-1229-6Z	FENDER-COMP-REAR,RR,BLACK	1		
35023	35023-1183	FENDER-REAR,FR	1		
92002	92002-1200	BOLT,FLANGED,8X16	4		
92015	92015-1678	NUT,CLAMP,6MM	2		
92037	92037-1459	CLAMP,CABLE	1		
92071	92071-019	GROMMET,10MM	1		
130	130B0616	BOLT-FLANGED,6X16	4		



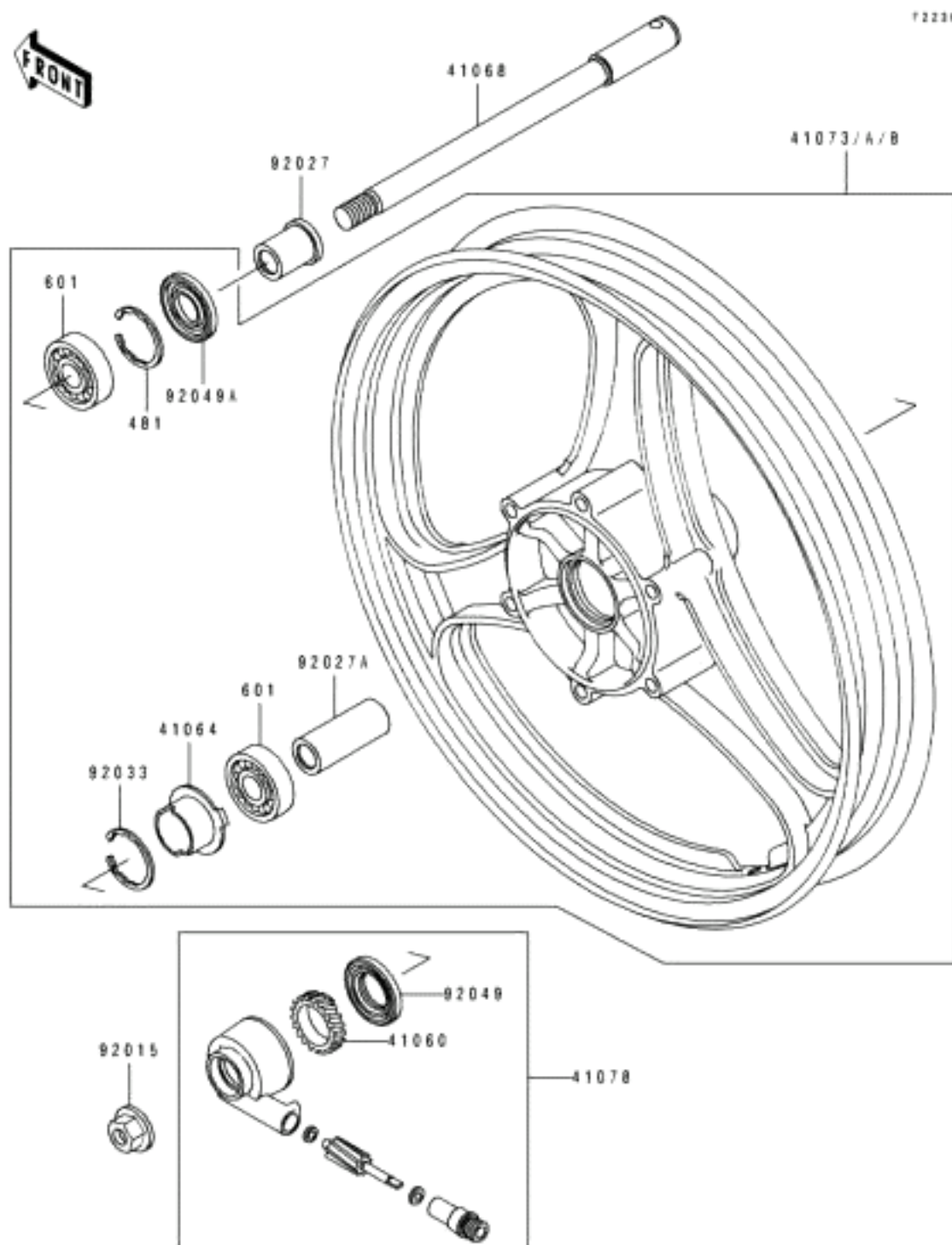
STANDS

Ref #	Part #	Description	Qty	Spec Code	Price
32043	32043-1329	BRACKET-STAND,SIDE	1		
34011	34011-1138	STAND-CENTER	1		
34024	34024-1255	STAND-SIDE	1		
92001	92001-1788	BOLT,SIDE STAND	1		
92002	92002-1954	BOLT,CENTER STAND	2		
92015	92015-1188	NUT,LOCK,10MM,BLACK	3		
92075	92075-1045	DAMPER	1		
92144	92144-1366	SPRING,CENTER STAND	1		
92144A	92144-1367	SPRING,SIDE STAND	1		
130	130J0816	BOLT-FLANGED,8X16,BLACK	2		

FRONT

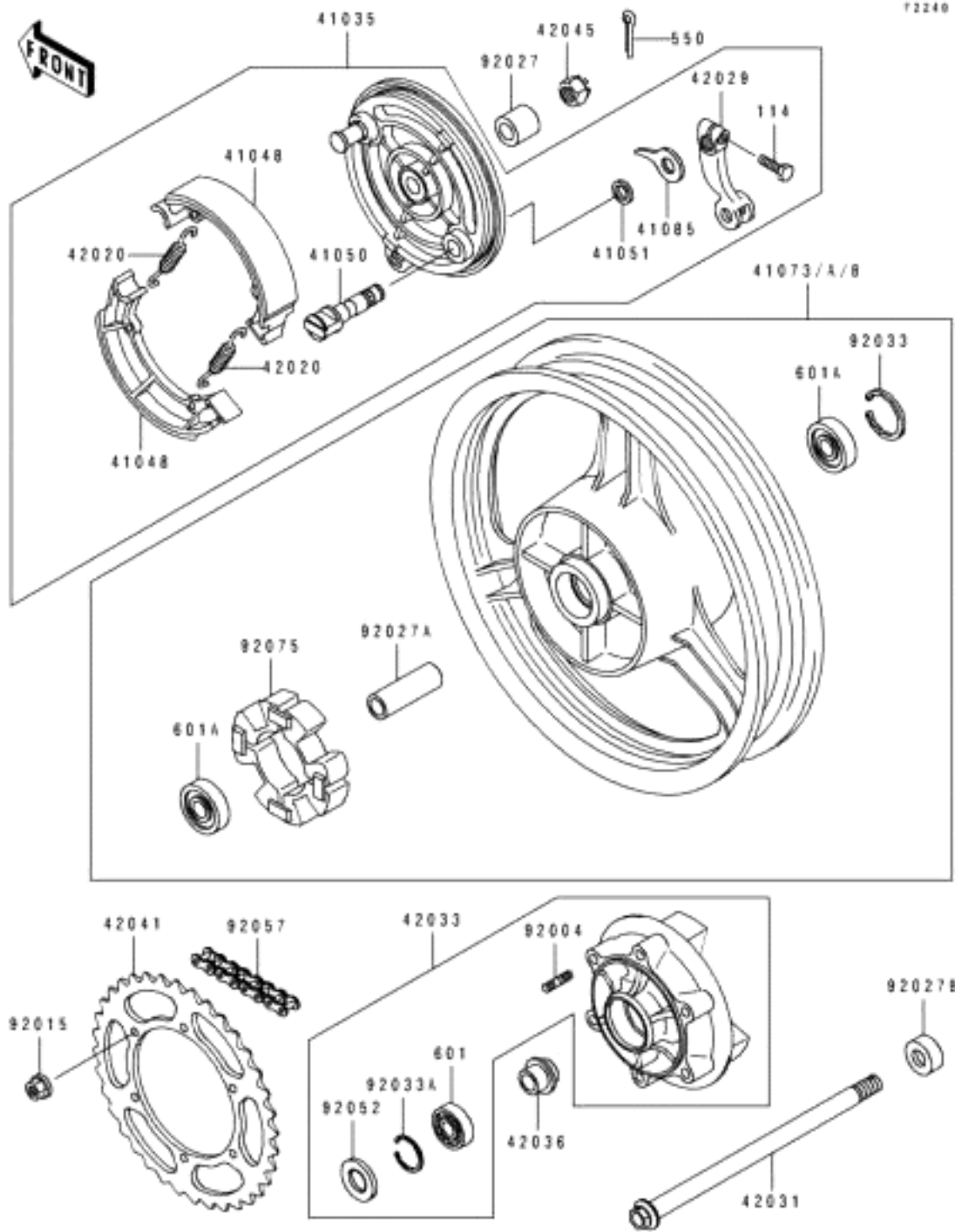
**TIRES**

Ref #	Part #	Description	Qty	Spec Code	Price
16126	16126-1140	VALVE,TIRE	2		
41002	41002-1654	TIRE,FR,100/90-16 54H,G533(BS)	1		
41002A	41002-1655	TIRE,RR,120/90-16 63H,G534(BS)	1		
41075	41075-1014	BALANCER-WHEEL,10G,SILVER	AR		
41075A	41075-1015	BALANCER-WHEEL,20G,SILVER	AR		
41075B	41075-1016	BALANCER-WHEEL,30G,SILVER	AR		



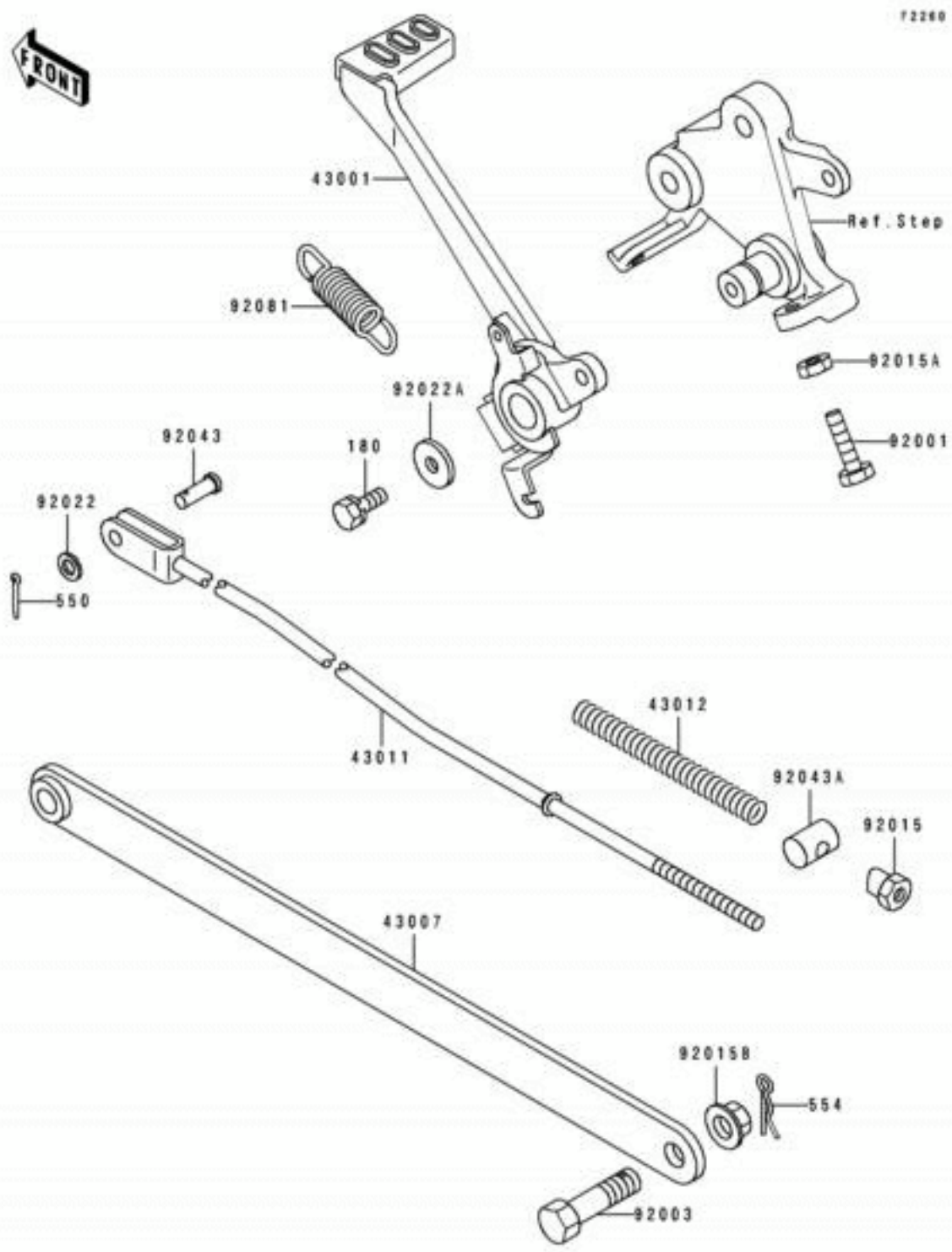
FRONT WHEEL

Ref #	Part #	Description	Qty	Spec Code	Price
41060	41060-1107	GEAR-METER SCREW,23T	1		
41064	41064-1006	RECEIVER-SPEEDOMETER	1		
41068	41068-1238	AXLE,FR	1		
41073A	41073-1411-T6	WHEEL-ASSY,FR,WHITE NO.1	1		
41078	41078-1055	CASE-ASSY-METER GEAR	1		
92015	92015-1407	NUT,14MM	1		
92027	92027-1118	COLLAR,L=34	1		
92027A	92027-1980	COLLAR,15.2X22X60	1		
92033	92033-1041	RING-SNAP,42MM	1		
92049	92049-1057	SEAL-OIL,BJN30427-C3	1		
92049A	92049-1348	SEAL-OIL	1		
481	481J3500	CIRCLIP-TYPE-C,35MM	1		
601	601B6202UU	BEARING-BALL	2		



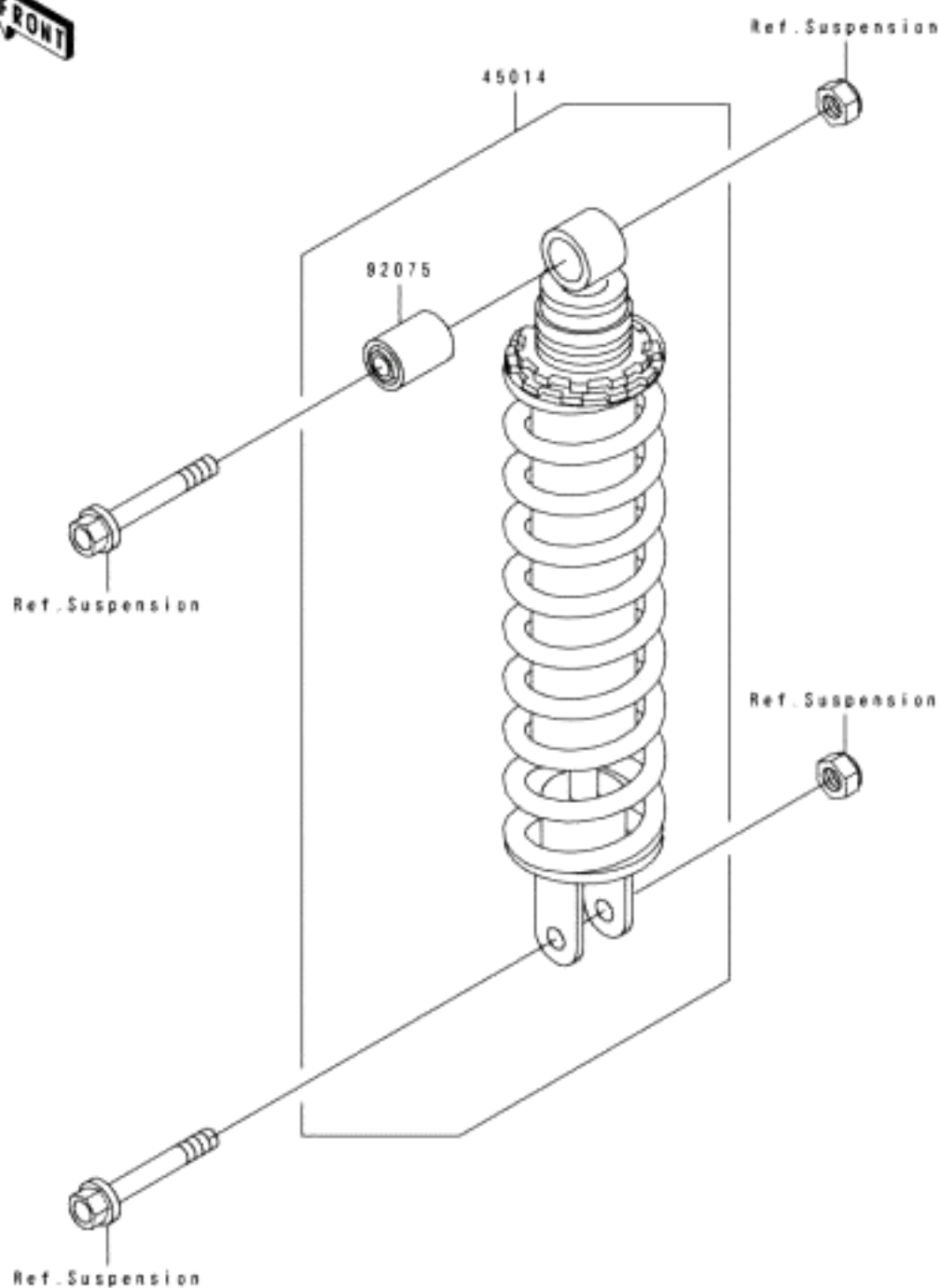
REAR WHEEL/CHAIN/COUPLING

Ref #	Part #	Description	Qty	Spec Code	Price
41035	41035-1301	PANEL-ASSY-BRAKE,RR	1		
41048	41048-1069	SHOE-BRAKE	2		
41050	41050-1065	CAM-BRAKE	1		
41051	41051-003	SEAL,BRAKE CAM	1		
41073A	41073-1413-T6	WHEEL-ASSY,RR,WHITE NO.1	1		
41085	41085-004	INDICATOR,BRAKE SHOE	1		
42020	42020-004	SPRING,BRAKE SHOE	2		
42029	42029-039	LEVER-BRAKE CAM	1		
42031	42031-053	AXLE,RR	1		
42033	42033-1114	COUPLING-ASSY,RR HUB	1		
42036	42036-1146	SLEEVE,RR HUB,L=33	1		
42041	42041-1279	SPROCKET-HUB,42T	1		
42045	42045-014	NUT,CASTLE,16MM	1		
92004	92004-1146	STUD,10X24	6		
92015	92015-1720	NUT,10MM	6		
92027	92027-1484	COLLAR,REAR AXLE,RH,L=18.5	1		
92027A	92027-1772	COLLAR,REAR BRAKE DRUM,L=90	1		
92027B	92027-1784	COLLAR,RR HUB	1		
92033	92033-1042	RING-SNAP,47MM	1		
92033A	92033-1043	RING-SNAP,52MM	1		
92052	92052-006	SEAL-OIL,TWC35527	1		
92057	92057-1296	CHAIN,DRIVE,EK520SX-OX104L	1		
92075	92075-1687	DAMPER,SHOCK,RR HUB	1		
114	114G0828	BOLT-SMALL,8X28	1		
550	550D4035	PIN-COTTER,4.0X35	1		
601	601B6205G	BEARING-BALL,#6205G	1		
601A	601B6303ZZ	BEARING-BALL,#6303ZZC3	2		



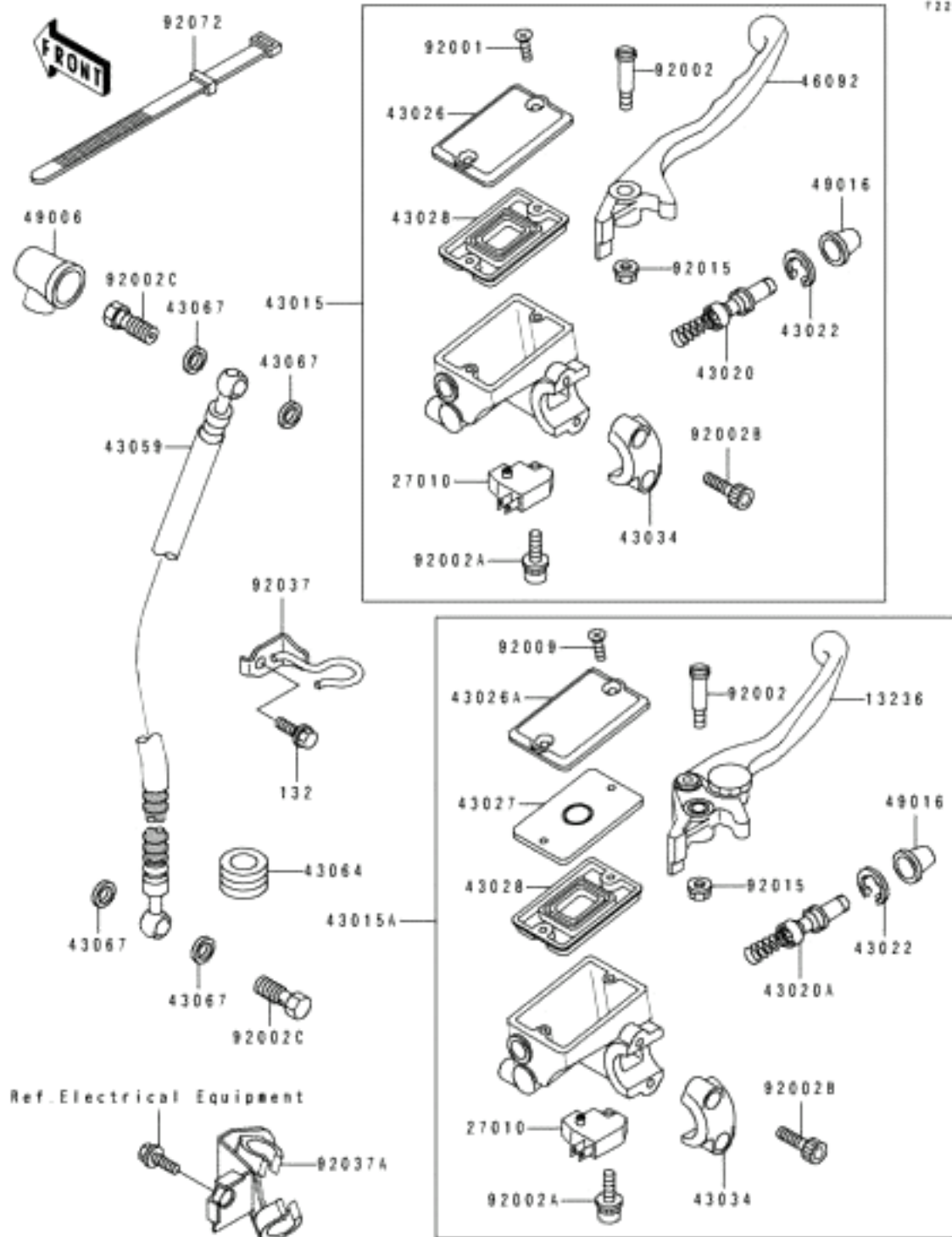
BRAKE PEDAL/TORQUE LINK

Ref #	Part #	Description	Qty	Spec Code	Price
43001	43001-1219	LEVER-BRAKE,PEDAL	1		
43007	43007-1131	ROD-TORQUE	1		
43011	43011-1136	ROD-BRAKE	1		
43012	43012-001	SPRING,BRAKE ROD	1		
92001	92001-1090	BOLT,6X25	1		
92003	92003-034	BOLT,10X35	1		
92015	92015-042	NUT,BRAKE ROD	1		
92015A	92015-1391	NUT,6MM	1		
92015B	92015-1428	NUT,FLANGED,10MM	1		
92022	92022-1556	WASHER,6.5X11.5X0.8	1		
92022A	92022-1557	WASHER,6.5X20X1.6	1		
92043	92043-064	PIN,6X17	1		
92043A	92043-065	PIN,BRAKE ROD	1		
92081	92081-1147	SPRING,BRAKE PEDAL	1		
180	180D0616	BOLT-UPSET-WS	1		
550	550D2015	PIN-COTTER,2.0X15	1		
554	554A0800	PIN-SNAP,8MM	1		



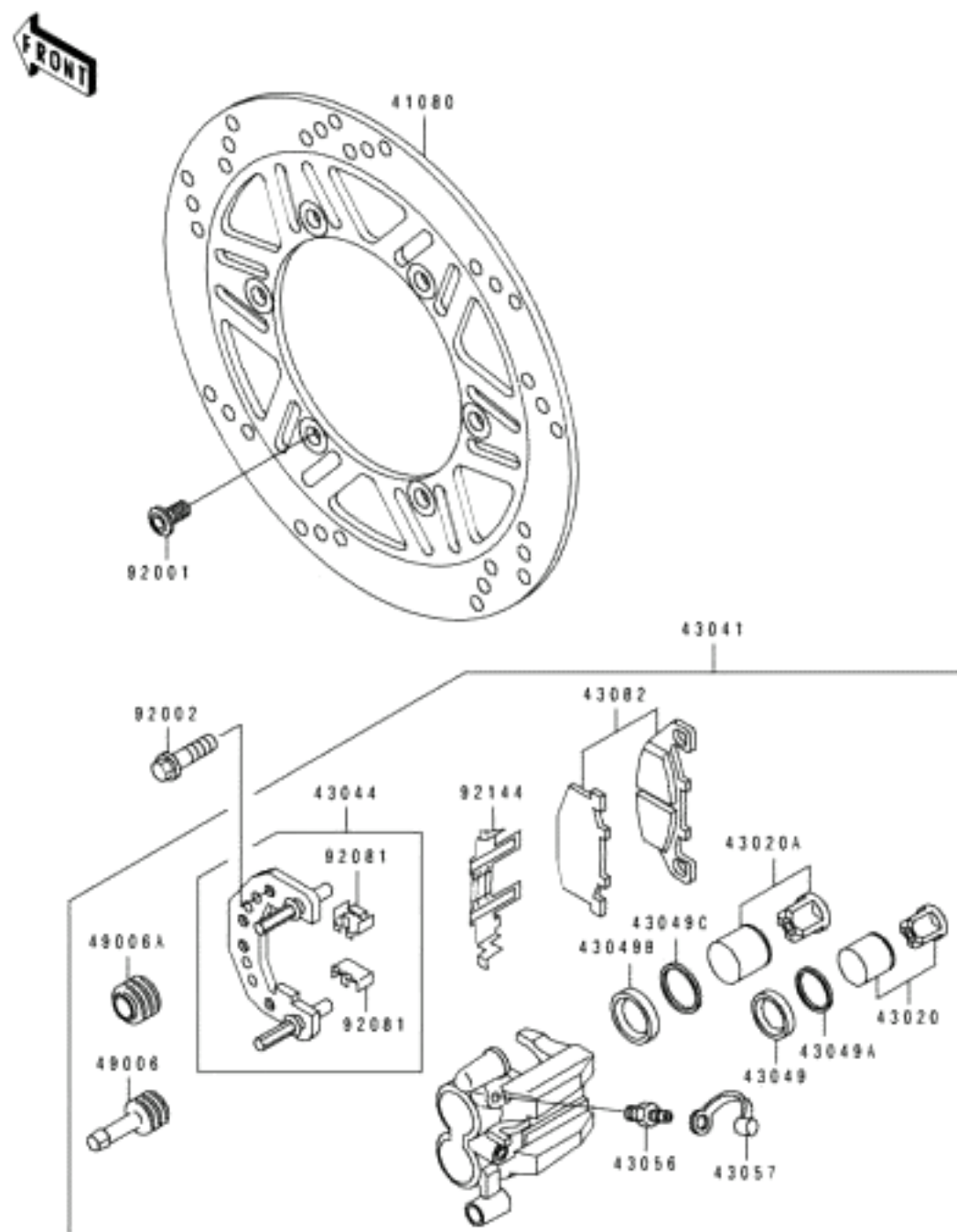
SHOCK ABSORBER

Ref #	Part #	Description	Qty	Spec Code	Price
45014	45014-1365	SHOCKABSORBER	1		
92075	92075-1497	DAMPER,SHOCKABSORBER	1		



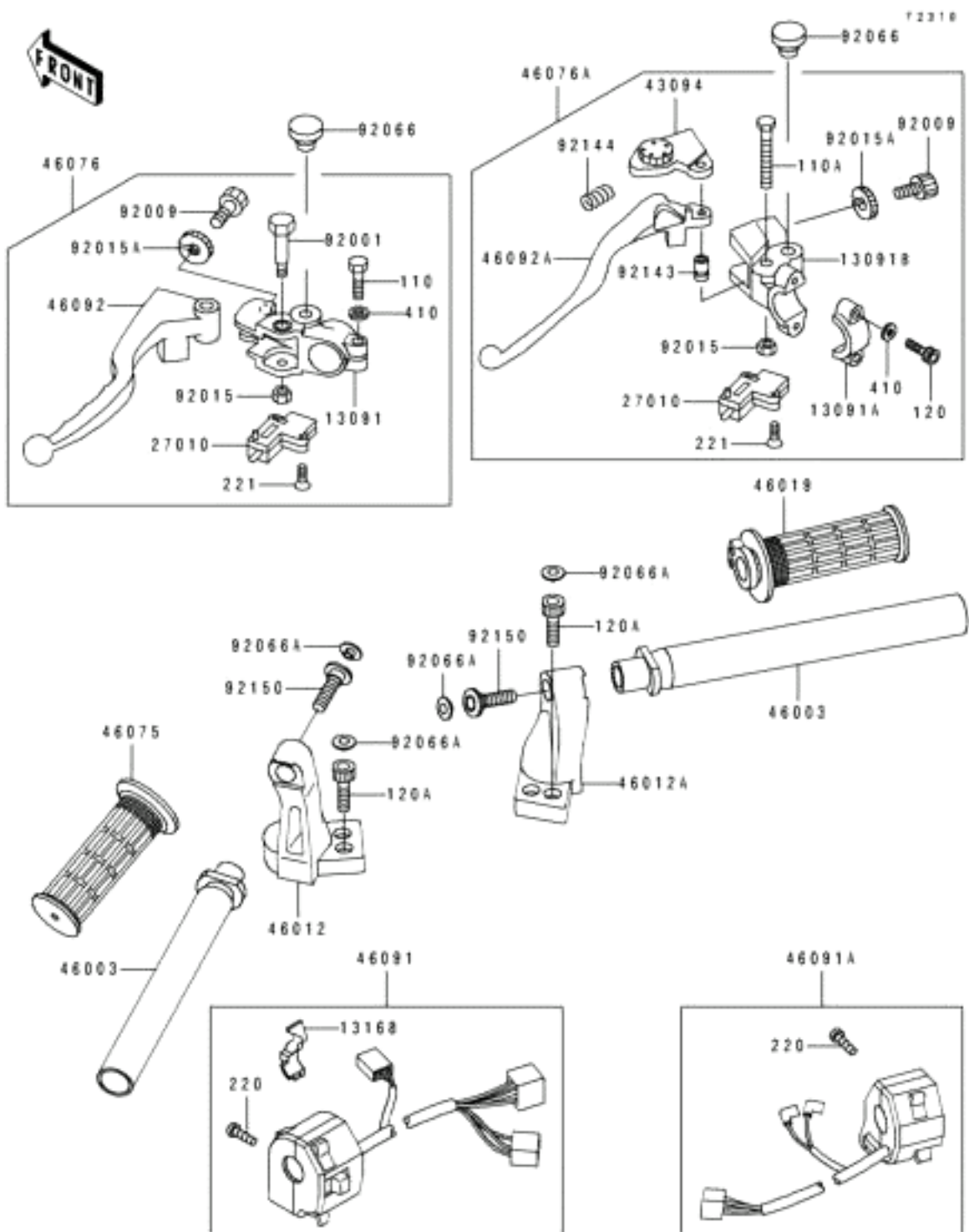
FRONT MASTER CYLINDER

Ref #	Part #	Description	Qty
13236	13236-1185	LEVER-COMP,FRONT BRAKE	1
27010	27010-1170	SWITCH,BRAKE	1
43015A	43015-1478	CYLINDER-ASSY-MASTER,FR	1
43020A	43020-1098	PISTON-COMP-BRAKE	1
43022	43022-1010	STOPPER-BRAKE,PISTON	1
43026A	43026-1076	CAP-BRAKE	1
43027	43027-1055	PLATE-DIAPHRAGM	1
43028	43028-1058	DIAPHRAGM,MASTER CYLINDER	1
43034	43034-1053	HOLDER-BRAKE,MASTER CYLINDER	1
43059	43059-1627	HOSE-BRAKE,FR	1
43064	43064-007	GROMMET,HOSE CLAMP	1
43067	43067-001	WASHER,10.5X15X1.5	4
49006	49006-1040	BOOT,DUST	1
49016	49016-1044	COVER-SEAL,MASTER CYLINDER	1
92002	92002-1322	BOLT,LEVER SET	1
92002A	92002-1323	BOLT,SCREW,4X12	1
92002B	92002-1324	BOLT,SOCKET,6X20	2
92002C	92002-1907	BOLT,OIL,L=23	2
92009	92009-1458	SCREW,4MM	2
92015	92015-1233	NUT,FLANGED,6MM	1
92037	92037-1217	CLAMP,BRAKE HOSE,RH	1
92037A	92037-1852	CLAMP,HOSE	1
92072	92072-056	BAND,L=186	1
132	132J0610	BOLT-FLANGED-SMALL,6X10	1



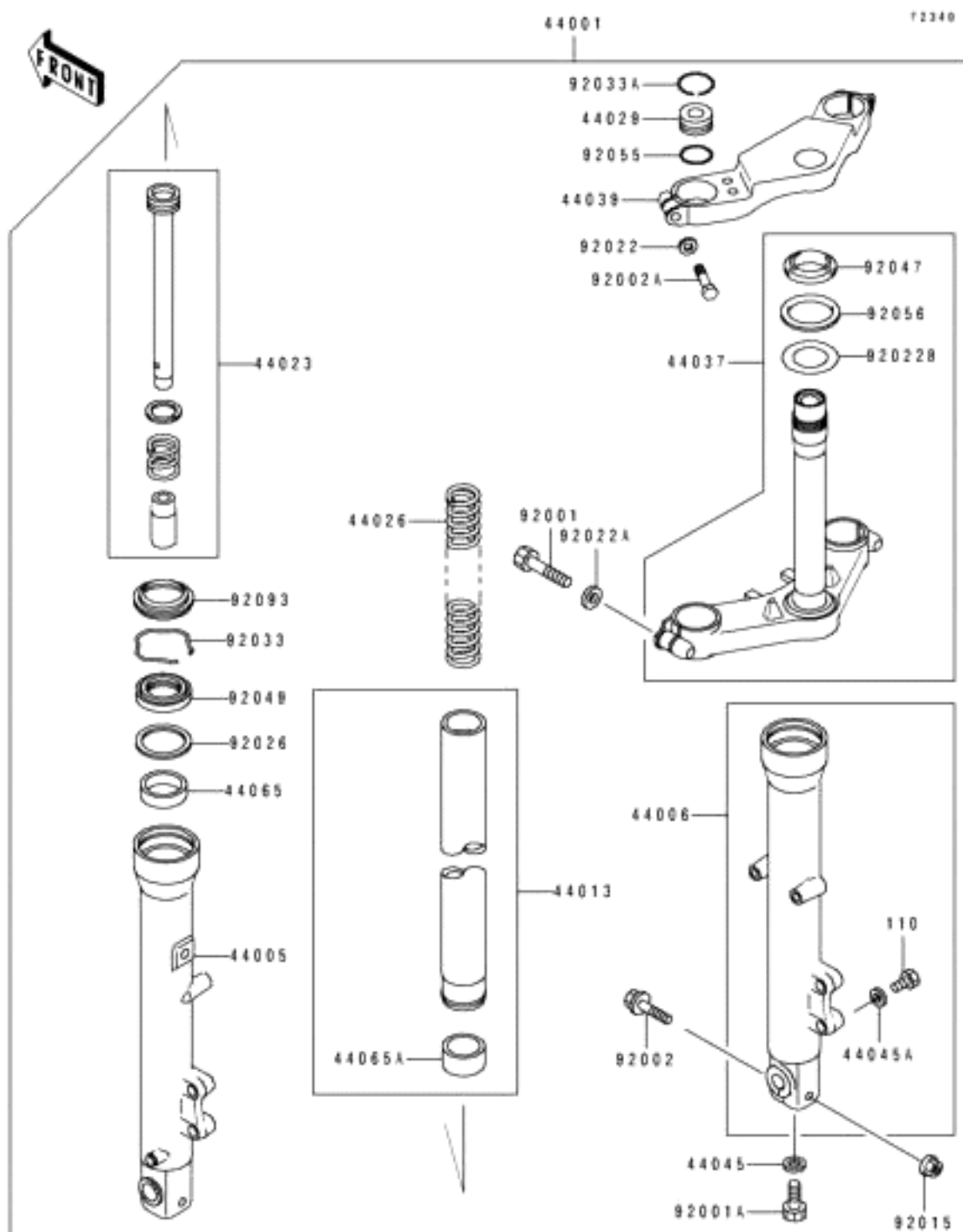
FRONT BRAKE

Ref #	Part #	Description	Qty	Spec Code	Price
41080	41080-1181	DISC,FR	1		
43020	43020-1068	PISTON-COMP-BRAKE	1		
43020A	43020-1069	PISTON-COMP-BRAKE	1		
43041	43041-1375-DJ	CALIPER-ASSY,FR,LH,BLACK	1		
43044	43044-1067	HOLDER-COMP-CALIPER	1		
43049	43049-1054	PACKING,PISTON SEAL	1		
43049A	43049-1055	PACKING,PISTON	1		
43049B	43049-1056	PACKING,PISTON SEAL	1		
43049C	43049-1057	PACKING,PISTON	1		
43056	43056-1054	BREATHER-BRAKE	1		
43057	43057-003	CAP-BREATHER	1		
43082	43082-1074	PAD-ASSY-BRAKE	1		
49006	49006-1094	BOOT,CALIPER	1		
49006A	49006-1095	BOOT,CALIPER	1		
92001	92001-1951	BOLT,DISC PLATE,8X30	6		
92002	92002-1468	BOLT,FLANGED,10X41	2		
92081	92081-1661	SPRING,PAD STOPPER	2		
92144	92144-1070	SPRING,PAD	1		



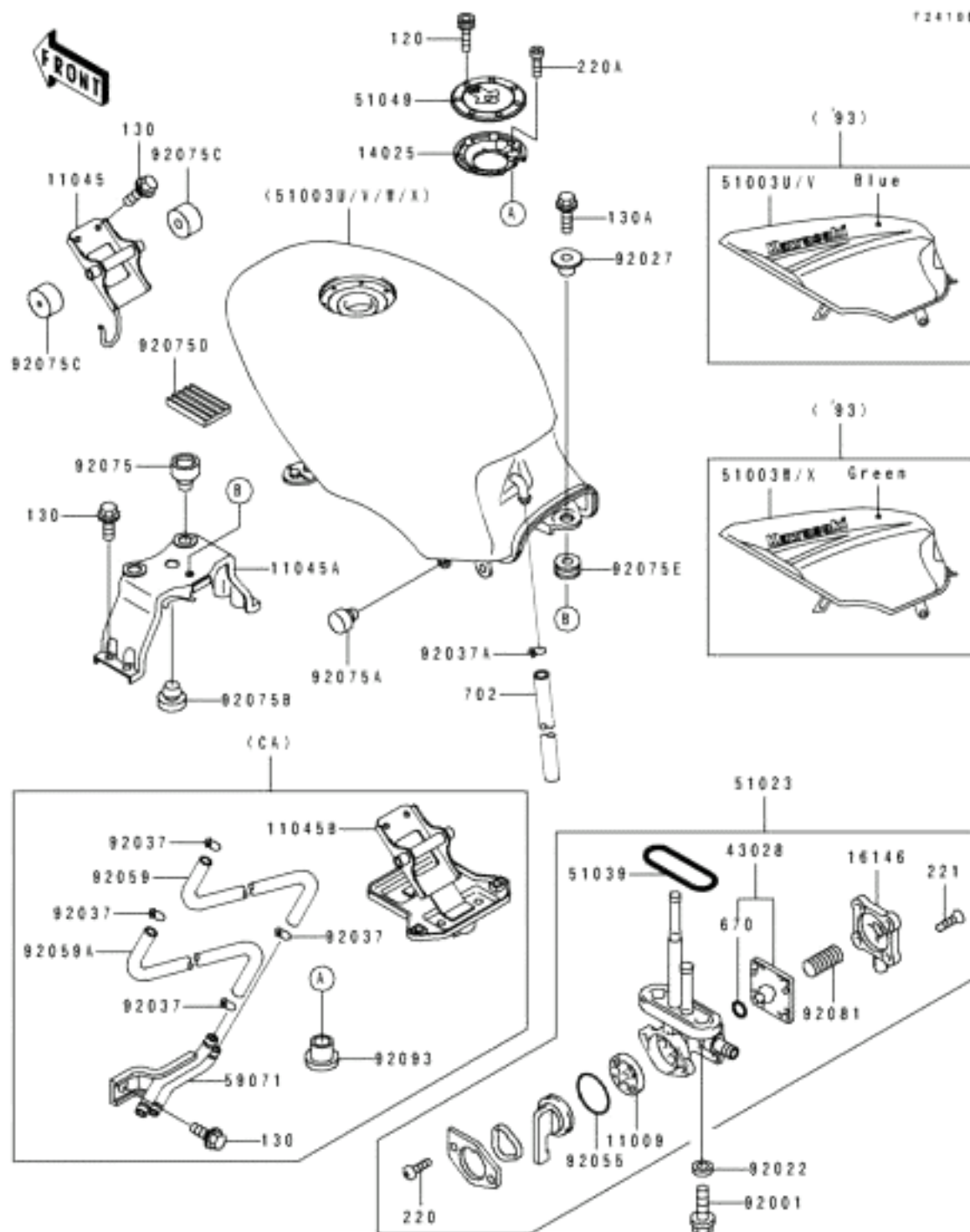
HANDLEBAR

Ref #	Part #	Description	Qty	Spec Code	Price
13091A	13091-1624	HOLDER,CLUTCH LEVER	1		
13091B	13091-1652	HOLDER,CLUTCH LEVER	1		
13168	13168-1374	LEVER,CHOKE	1		
27010	27010-1094	SWITCH,CLUTCH,BLACK	1		
43094	43094-1053	ADJUSTER,CLUTCH LEVER	1		
46003	46003-1249	HANDLE	2		
46012	46012-1203	HOLDER-HANDLE,LH	1		
46012A	46012-1204	HOLDER-HANDLE,RH	1		
46019	46019-1058	GRIP-ASSY,THROTTLE	1		
46075	46075-1022	GRIP,LH	1		
46076A	46076-1165	LEVER-ASSY-GRIP,CLUTCH	1		
46091	46091-1445	HOUSING-ASSY-CONTROL,LH	1		
46091A	46091-1460	HOUSING-ASSY-CONTROL,RH	1		
46092A	46092-1161	LEVER-GRIP,CLUTCH	1		
92009	92009-1134	SCREW,CABLE ADJUST,8MM,BLACK	1		
92015	92015-1191	NUT,LOCK,6MM,BLACK	1		
92015A	92015-1197	NUT,CABLE ADJUST LOCK,BLACK	1		
92066	92066-1077	PLUG,9.5X8,POLYETHYLENE	1		
92066A	92066-1216	PLUG	6		
92143	92143-1379	COLLAR	1		
92144	92144-1467	SPRING	1		
92150	92150-1425	BOLT,8X30	2		
110A	110C0640	BOLT,6X40	1		
120	120S0620	BOLT-SOCKET,6X20	2		
120A	120S0816	BOLT-SOCKET	4		
220	220C0520	SCREW-PAN-CROS	4		
221	221C0316	SCREW-CSK-CROS	2		
410	410F0600	WASHER-PLAIN-SMALL,6MM,BLACK	2		



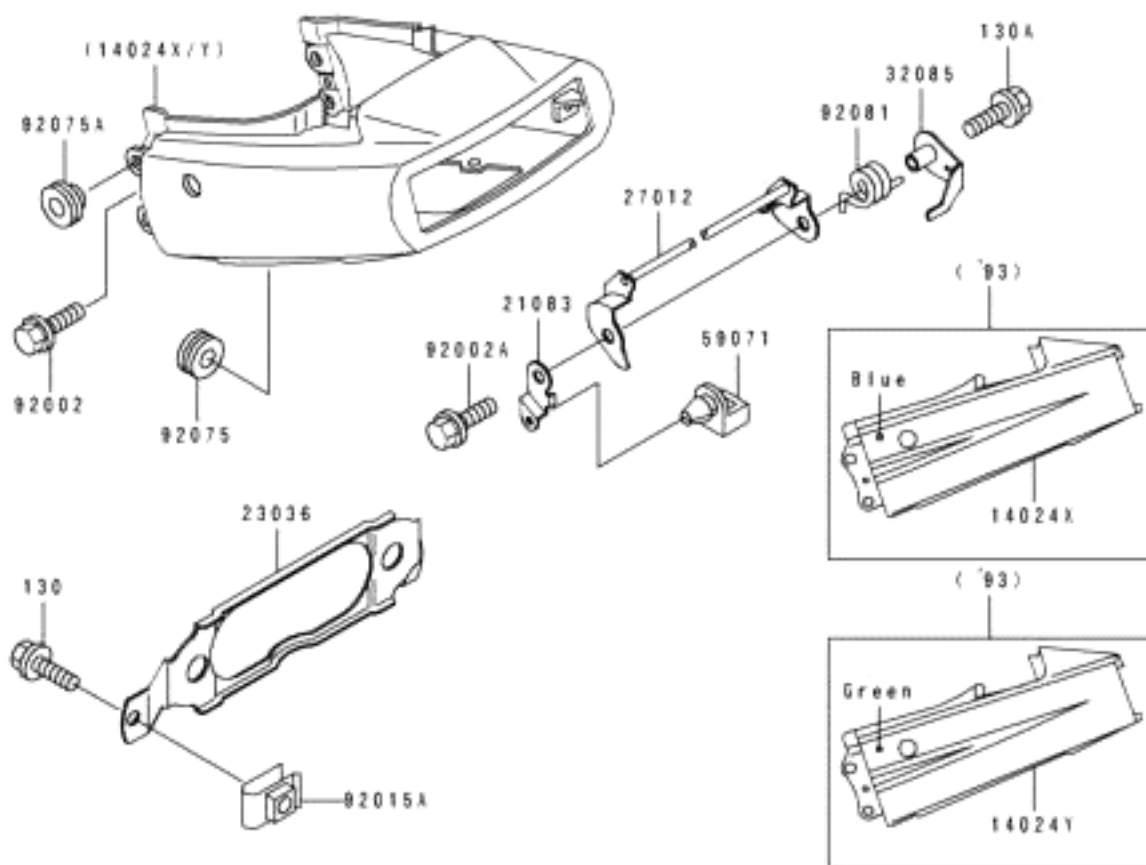
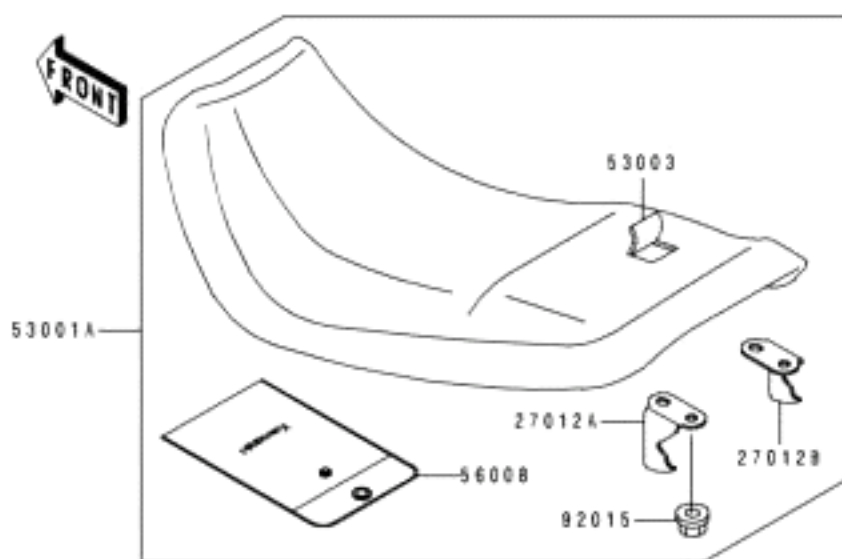
FRONT FORK

Ref #	Part #	Description	Qty	Spec Code	Price
44001	44001-1712	FORK-FRONT	1		
44005	44005-1261	PIPE-LEFT FORK OUTER	1		
44006	44006-1258	PIPE-RIGHT FORK OUTER	1		
44013	44013-1262	PIPE-FORK INNER	2		
44023	44023-1058	CYLINDER-COMP-FORK	2		
44026	44026-1366	SPRING-FRONT FORK	2		
44029	44029-1124	SEAT-FORK SPRING	2		
44037	44037-1212	HOLDER-FORK UNDER	1		
44039	44039-1182	HOLDER-FORK UPPER	1		
44045	44045-051	GASKET,FORK CYLINDER BOLT	2		
44045A	44045-052	GASKET,DRAIN PLUG	2		
44065	44065-1068	BUSHING-FRONT FORK	2		
44065A	44065-1069	BUSHING-FRONT FORK,INNER PIPE	2		
92001	92001-1454	BOLT,10X40	2		
92001A	92001-1464	BOLT,FORK CYLINDER	2		
92002	92002-1159	BOLT,FLANGED,8X50	1		
92002A	92002-1959	BOLT	2		
92015	92015-1408	NUT,FLANGED,8MM	1		
92022	92022-1552	WASHER,SPRING,8MM	2		
92022A	92022-1704	WASHER,SPRING,10MM	2		
92022B	92022-231	WASHER,30.5X50X0.6	1		
92026	92026-1038	SPACER,FORK	2		
92033	92033-1219	RING-SNAP,FORK	2		
92033A	92033-1220	RING-SNAP,FORK TOP	2		
92047	92047-012	RACE,STEERING STEM BEARING	1		
92049	92049-1226	SEAL-OIL,FORK	2		
92055	92055-1359	RING-O,FORK SPRING SEAT	2		
92056	92056-003	SEAL-OIL,STEERING STEM	1		
92093	92093-1196	SEAL,FORK	2		
110	110B0608	BOLT,6X8	2		



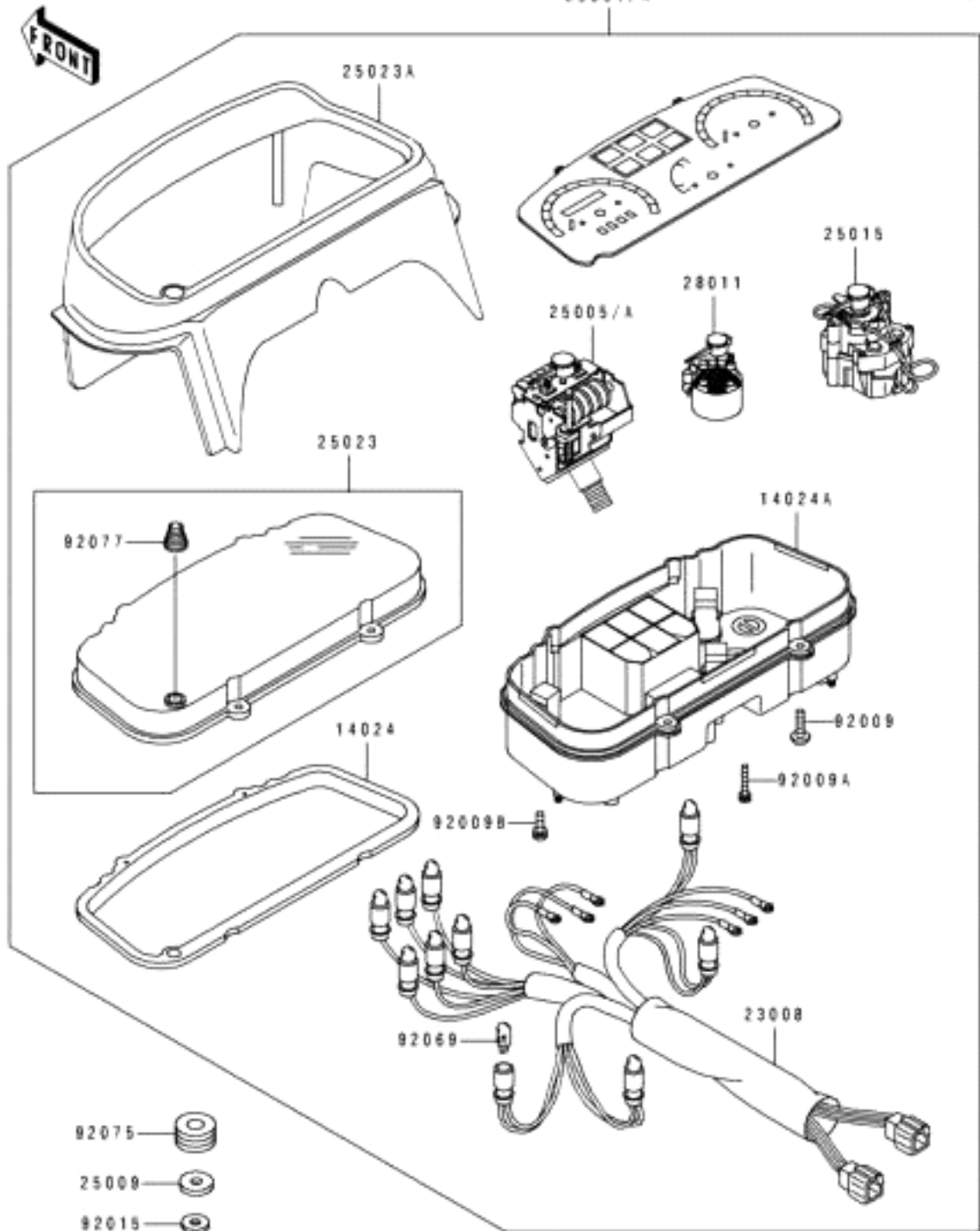
FUEL TANK (1/4)(EX500-A7)

Ref #	Part #	Description	Qty	Spec Code	Price
11009	11009-1188	GASKET,TAP VALVE	1		
11045	11045-1362	BRACKET,FUEL TANK,FR	1	[CN,US]	
11045A	11045-1363	BRACKET,FUEL TANK,RR	1		
11045B	11045-1389	BRACKET,FUEL TANK,FR	1	[CA]	
14025	14025-1913	COVER,TANK CAP	1		
16146	16146-1010	COVER-ASSY,TAP DIAPHRAGM	1		
43028	43028-1033	DIAPHRAGM	1		
51003U	51003-5473-M4	TANK-COMP-FUEL,L.P.BLUE	1	[CN,US]	
51003V	51003-5474-M4	TANK-COMP-FUEL,L.P.BLUE	1	[CA]	
51003W	51003-5475-SM	TANK-COMP-FUEL,P.T.GREEN	1	[CN,US]	
51003X	51003-5476-SM	TANK-COMP-FUEL,P.T.GREEN	1	[CA]	
51023	51023-1142	TAP-ASSY,FUEL	1		
51039	51039-003	RING,TAP FLANGED	1		
51049	51049-1091	CAP-TANK,FUEL	1		
59071	59071-1122	JOINT,EVAPO	1	[CA]	
92001	92001-1091	BOLT,6X20	2		
92022	92022-183	WASHER,6.2X11X1.5	2		
92027	92027-1780	COLLAR,L=19.3	1		
92037	92037-010	CLAMP,TUBE	4	[CA]	
92037A	92037-1712	CLAMP	1		
92055	92055-1085	RING-O,TAP LEVER	1		
92059	92059-1767	TUBE,EVAPO	1	[CA]	
92059A	92059-1768	TUBE,EVAPO	1	[CA]	
92075	92075-015	DAMPER	2		
92075A	92075-021	DAMPER	2		
92075B	92075-1045	DAMPER	1		
92075C	92075-1115	DAMPER,FUEL TANK,FR	2		
92075D	92075-1489	DAMPER	2		
92075E	92075-1736	DAMPER	1		
92081	92081-1240	SPRING,TAP DIAPHRAGM	1		
92093	92093-1030	SEAL,FUEL TANK CAP	1	[CA]	
120	120S0512	BOLT-SOCKET	7		
130	130B0612	BOLT-FLANGED,6X12	7	[CA]	
130	130B0612	BOLT-FLANGED,6X12	6	[CN,US]	
130A	130G0830	BOLT-FLANGED,8X30	1		
220	220B0308	SCREW-PAN-CROS	2		
220A	220C0508	SCREW-PAN-CROS	1		
221	221B0414	SCREW-CSK-CROS,4X14	4		
670	670B1504	O RING,4MM	1		
702	702A07380	TUBE-RUBBER,7X10X380	1		



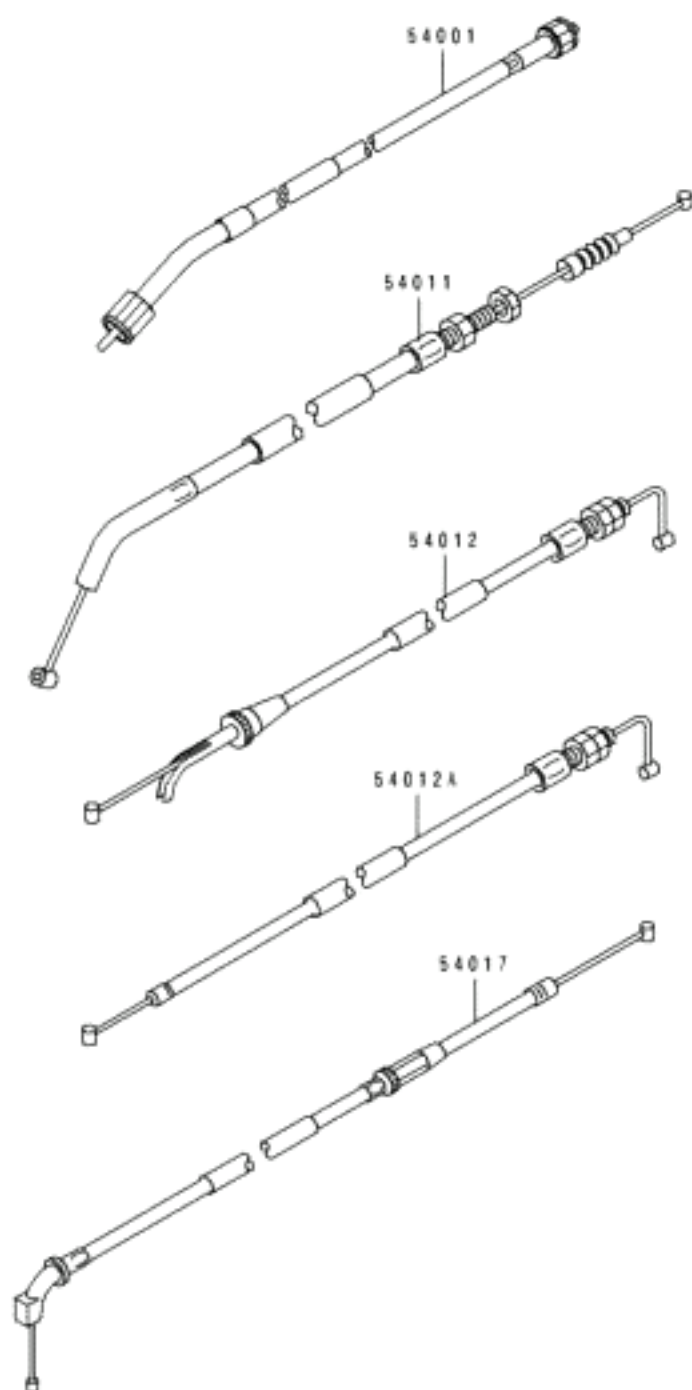
SEAT (1/2)(EX500-A7)

Ref #	Part #	Description	Qty	Spec Code	Price
14024X	14024-5214-M4	COVER,SEAT,L.P.BLUE	1		
14024Y	14024-5215-SM	COVER,SEAT,P.T.GREEN	1		
21083	21083-1063	ARM,SEAT LOCK	1		
23036	23036-1111	BRACKET-TAIL LAMP	1		
27012	27012-1363	HOOK,SEAT LOCK	1		
27012A	27012-1377	HOOK,SEAT,LH	1		
27012B	27012-1378	HOOK,SEAT,RH	1		
32085	32085-1270	STOPPER,SEAT LOCK SPRING	1		
53001A	53001-1519-MA	SEAT-ASSY,DUAL,BLACK	1		
53003	53003-1179-MA	LEATHER,SEAT,BLACK	1		
56008	56008-1066	BAG,HAND BOOK	1		
59071	59071-1103	JOINT	1		
92002	92002-1351	BOLT,6X14	2		
92002A	92002-1884	BOLT,6X12	1		
92015	92015-1078	NUT,FLANGED,6MM	4		
92015A	92015-1671	NUT,6MM	2		
92075	92075-1690	DAMPER	2		
92075A	92075-1962	DAMPER,SIDE COVER	4		
92081	92081-1982	SPRING	1		
130	130D0614	BOLT-FLANGED,6X14	2		
130A	130J0625	BOLT-FLANGED,6X25	1		



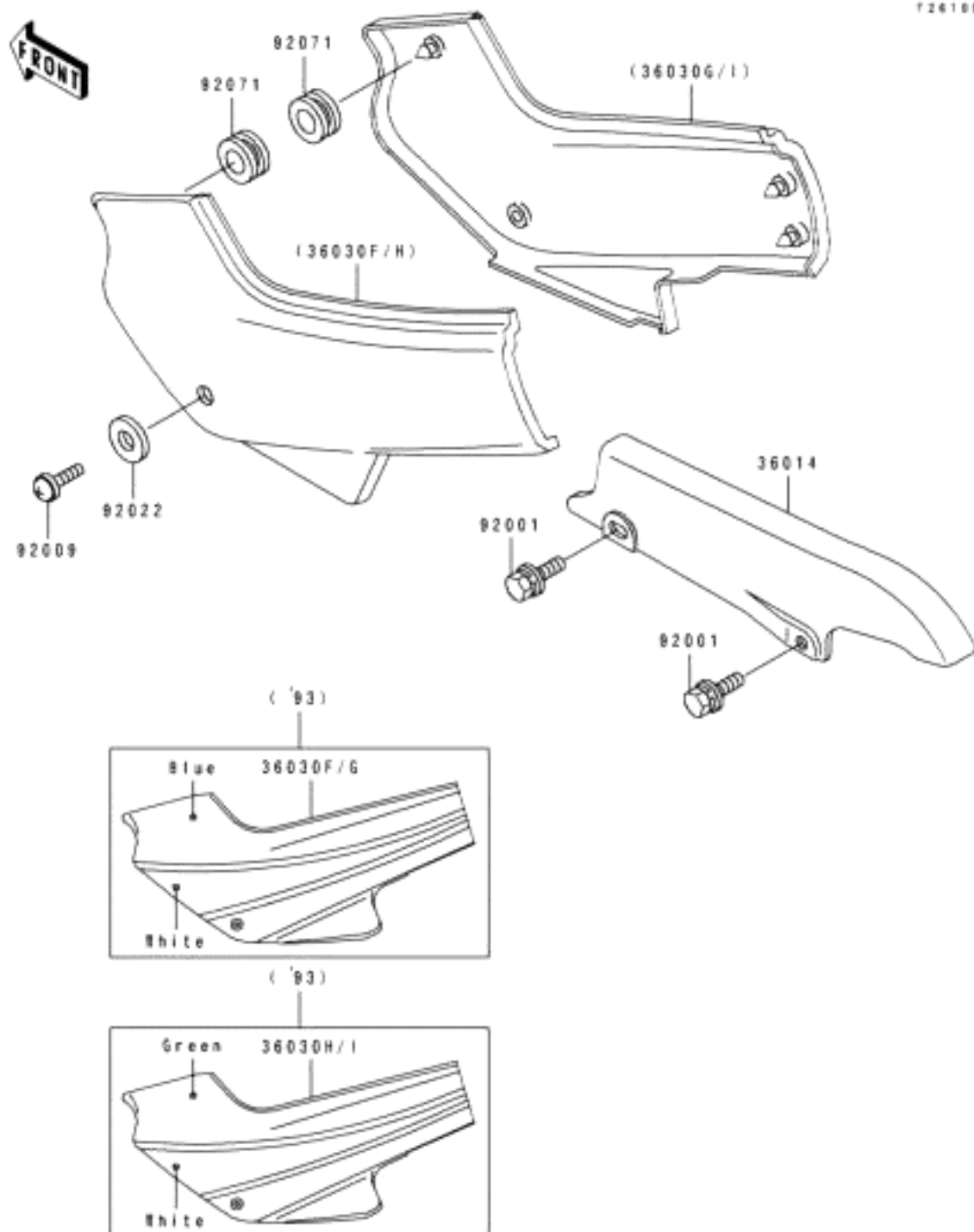
METERS

Ref #	Part #	Description	Qty	Spec Code	Price
14024	14024-1278	COVER,METER	1		
14024A	14024-1289	COVER,METER HOUSING	1		
23008	23008-1314	SOCKET-ASSY,METER	1		
25001	25001-1677	METER-ASSY,MPH	1	[CA,US]	
25001A	25001-1678	METER-ASSY,KPH	1	[CN]	
25005	25005-1348	SPEEDOMETER,KPH	1	[CN]	
25005A	25005-1349	SPEEDOMETER,MPH	1	[CA,US]	
25009	25009-004	WASHER,5.2X16X1.2	3		
25015	25015-1267	TACHOMETER,X1000R/MIN	1		
25023	25023-1141	COVER-METER CASE,UPP	1		
25023A	25023-1151	COVER-METER CASE	1		
28011	28011-1097	METER,TEMP	1		
92009	92009-1163	SCREW,TAPPING,4X16	4		
92009A	92009-1293	SCREW,3X22	3		
92009B	92009-1382	SCREW,3X10	2		
92015	92015-1259	NUT,FLANGED,5MM	3		
92069	92069-1007	BULB,12V 3.4W	10		
92075	92075-1385	DAMPER,METER BRACKET	3		
92077	92077-1061	BOOT,TRIP RESET KNOB	1		



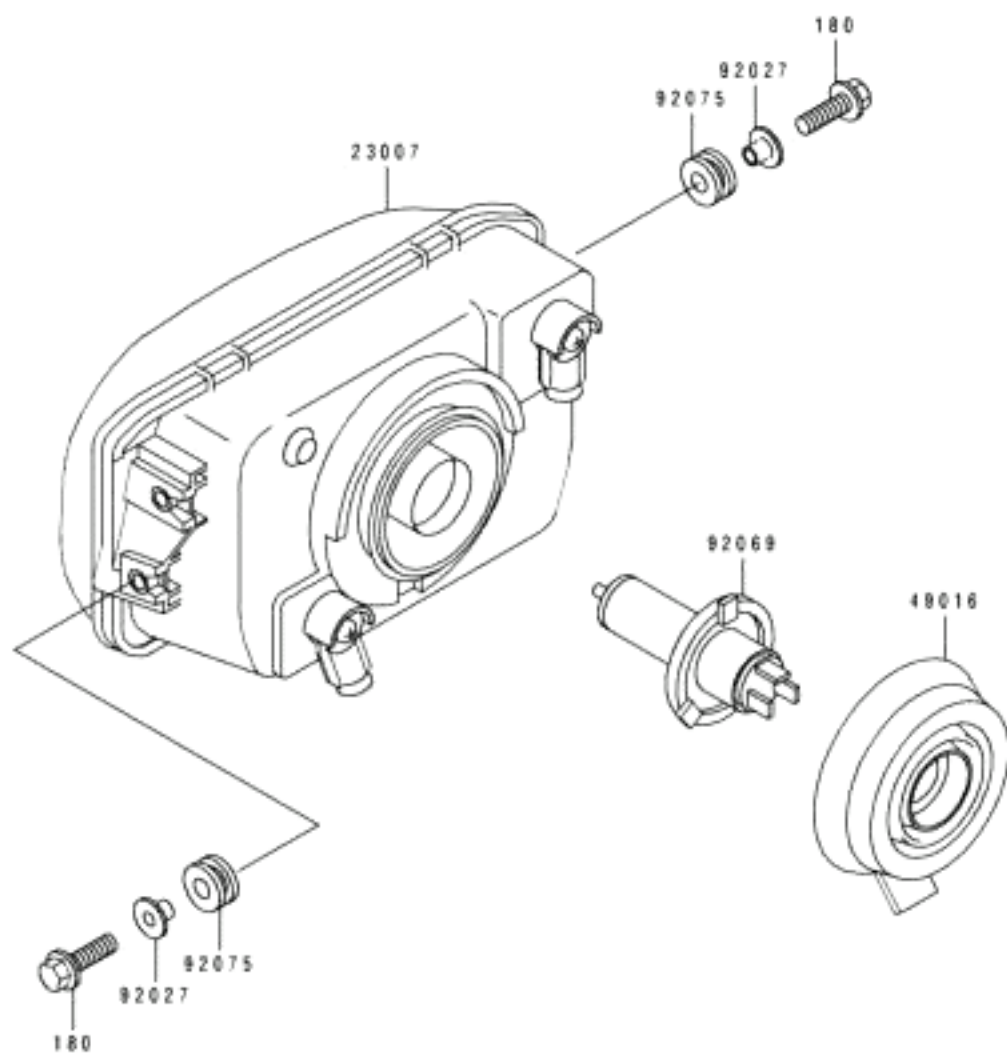
CABLES

Ref #	Part #	Description	Qty	Spec Code	Price
54001	54001-1155	CABLE-SPEEDOMETER	1		
54011	54011-1297	CABLE-CLUTCH	1		
54012	54012-1334	CABLE-THROTTLE,OPENING	1		
54012A	54012-1335	CABLE-THROTTLE,CLOSING	1		
54017	54017-1125	CABLE-STARTER	1		



SIDE COVERS (2/2)(EX500-A7)

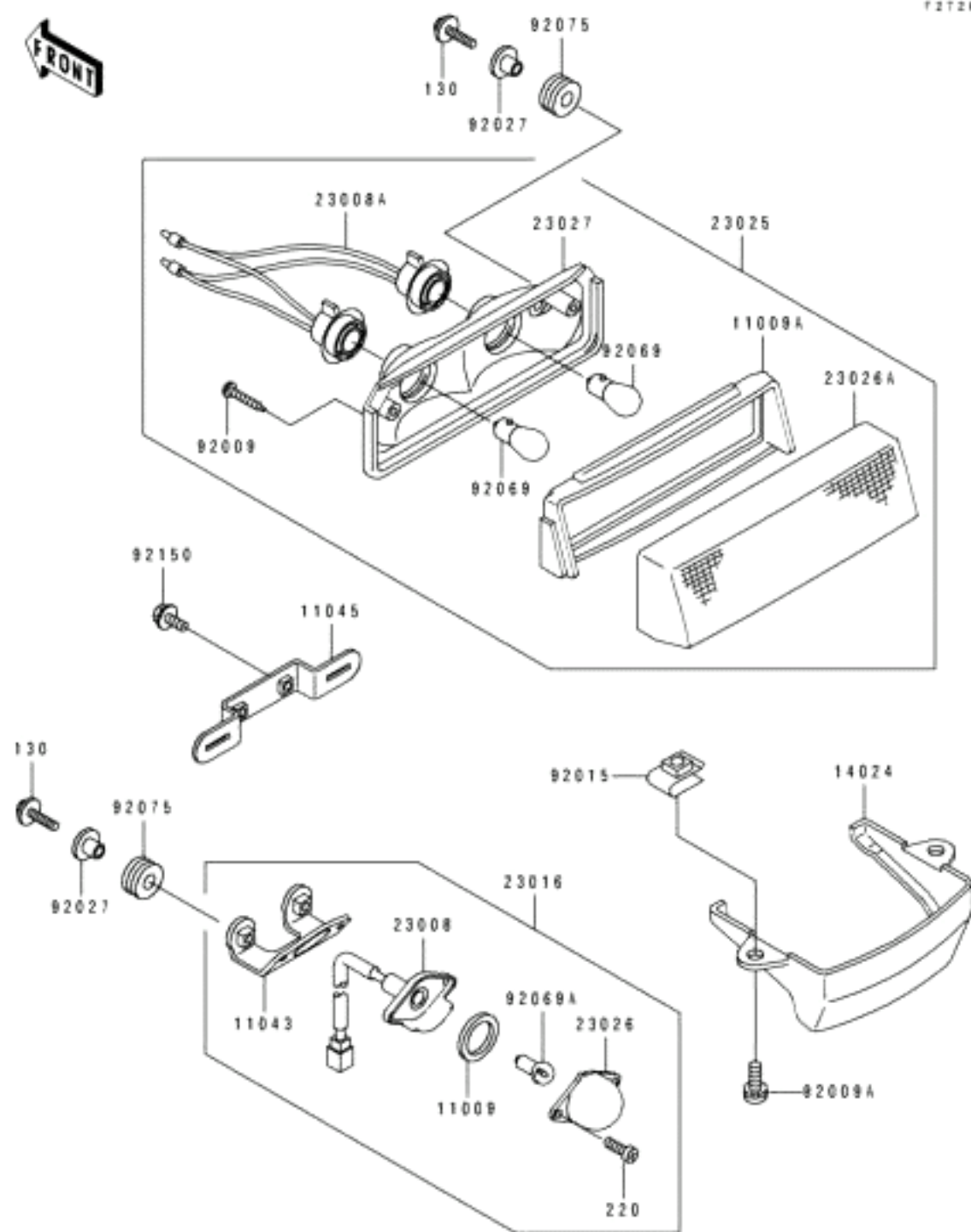
Ref #	Part #	Description	Qty	Spec Code	Price
36014	36014-1144	CASE-CHAIN	1		
36030F	36030-5135-M4	COVER-SIDE,LH,L.P.BLUE	1		
36030G	36030-5136-M4	COVER-SIDE,RH,L.P.BLUE	1		
36030H	36030-5137-SM	COVER-SIDE,LH,P.T.GREEN	1		
36030I	36030-5138-SM	COVER-SIDE,RH,P.T.GREEN	1		
92001	92001-1847	BOLT,6X14,BLACK	2		
92009	92009-1288	SCREW,6X14	2		
92022	92022-1654	WASHER,6.5X16X1.0	2		
92071	92071-056	GROMMET	2		



HEADLIGHT

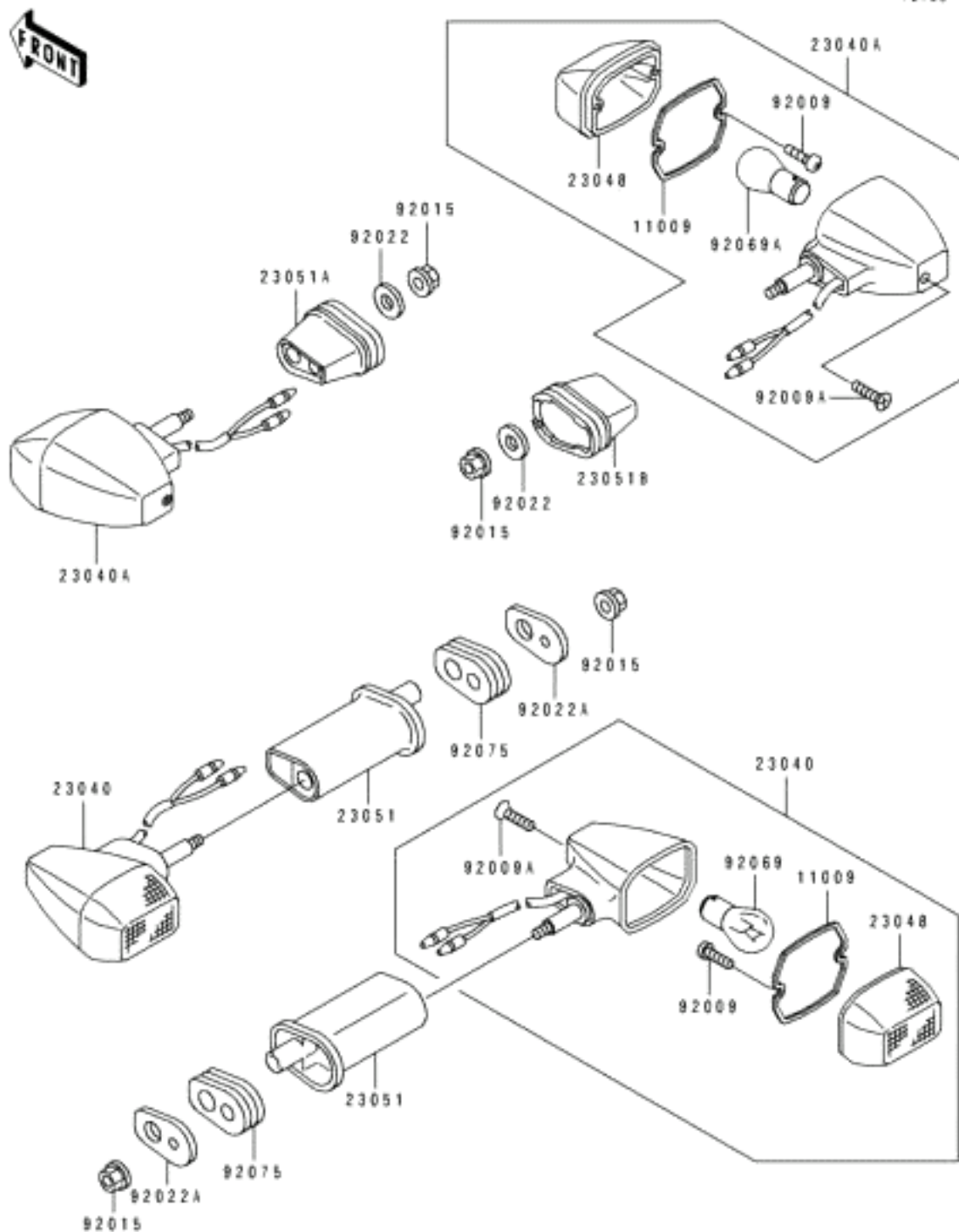
Ref #	Part #	Description	Qty	Spec Code	Price
23007	23007-1150	LENS-COMP,HEAD LAMP	1		
49016	49016-1108	COVER-SEAL,HEAD LAMP	1		
92027	92027-251	COLLAR,L=13.1	4		
92069	92069-1002	BULB,12V 60/55W,H4	1		
92075	92075-1690	DAMPER	4		
180	180D0625	BOLT-UPSET-WS,6X25	4		

FRONT



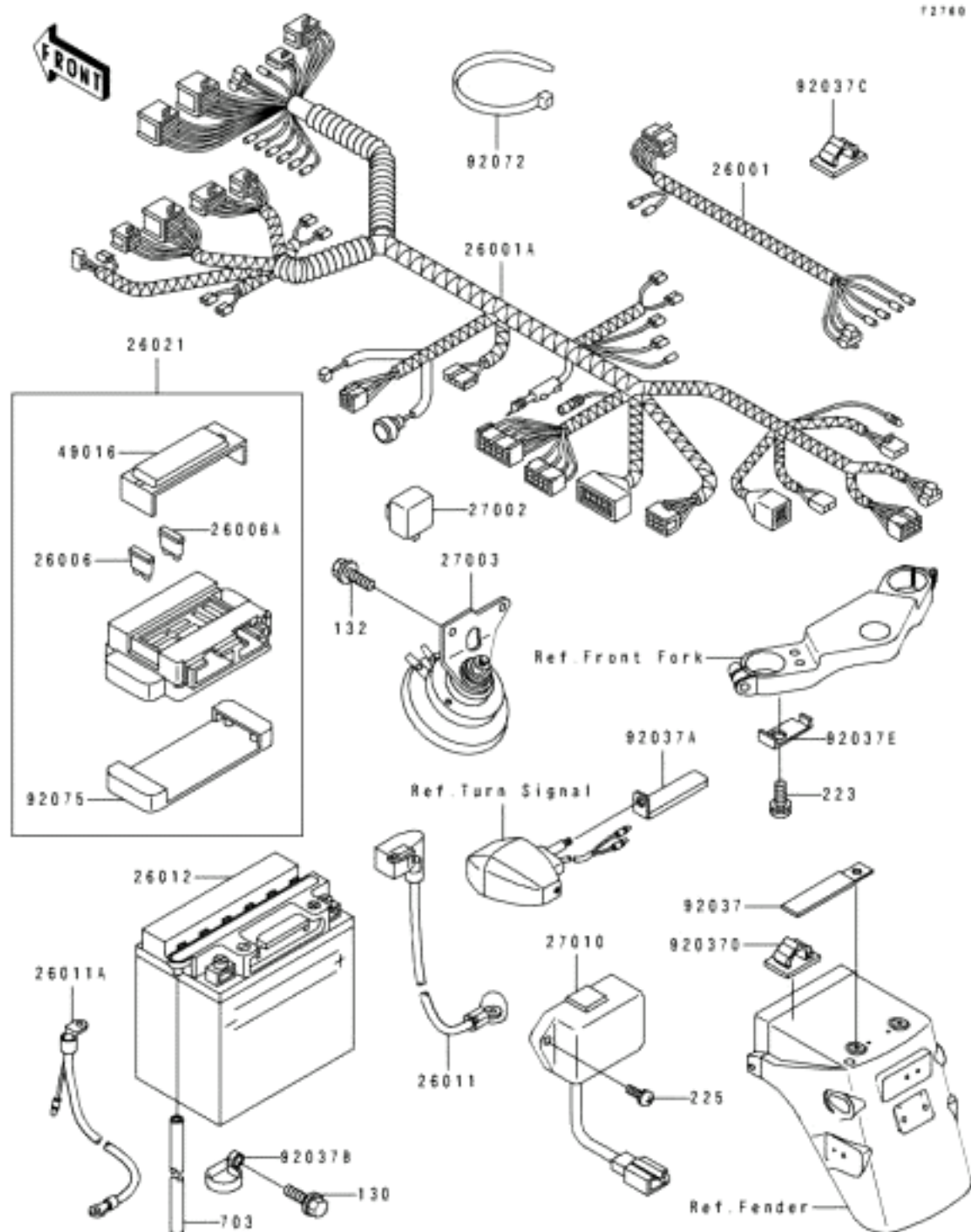
TAILLIGHT

Ref #	Part #	Description	Qty	Spec Code	Price
11009	11009-1372	GASKET,LICENSE PLATE LAMP	1		
11009A	11009-1404	GASKET,TAIL LAMP	1		
11043	11043-1497	BRACKET,LICENSE PLATE LAMP	1		
11045	11045-1387	BRACKET,LICENSE	1		
14024	14024-1386	COVER,LICENSE LAMP	1		
23008	23008-1221	SOCKET-ASSY,LICENSE PLATE LAMP	1		
23008A	23008-1225	SOCKET-ASSY,TAIL LAMP	1		
23016	23016-1053	LAMP-ASSY,LICENSE PLATE	1		
23025	23025-1105	LAMP-TAIL	1		
23026	23026-1054	LENS,LAMP	1		
23026A	23026-1056	LENS,TAIL LAMP	1		
23027	23027-1055	BODY-COMP-TAIL LAMP	1		
92009	92009-1056	SCREW,TAPPING,4X30	2		
92009A	92009-1653	SCREW,5X14	2		
92015	92015-1710	NUT,5MM	2		
92027	92027-251	COLLAR,L=13.1	4		
92069	92069-059	BULB,12V 27/8W	2		
92069A	92069-1012	BULB,12V 8W	1		
92075	92075-1690	DAMPER	4		
92150	92150-1133	BOLT,6X14	2		
130	130H0625	BOLT-FLANGED,6X25	4		
220	220B0410	SCREW-PAN-CROS	2		



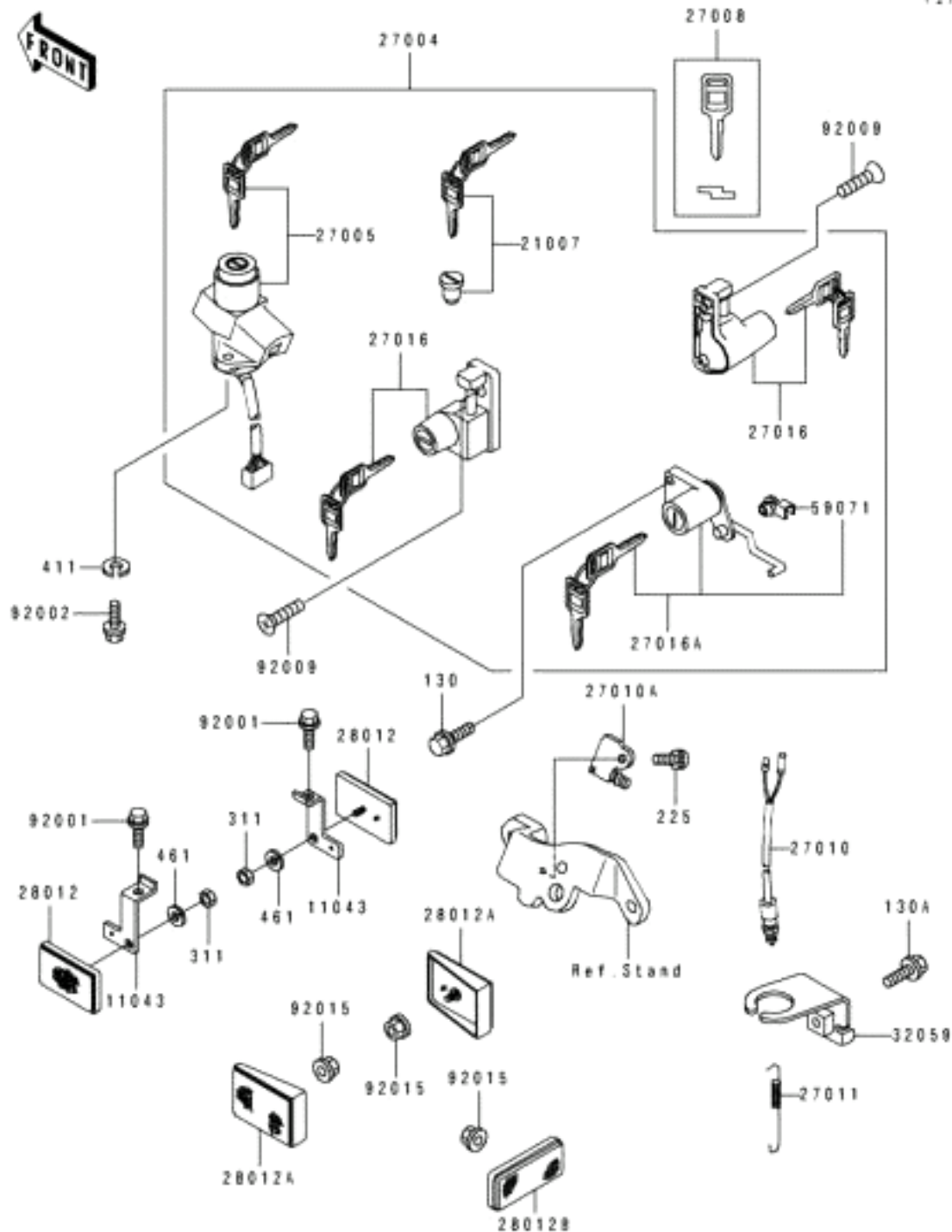
TURN SIGNALS

Ref #	Part #	Description	Qty	Spec Code	Price
11009	11009-1402	GASKET,SIGNAL LAMP	4		
23040	23040-1108	LAMP-SIGNAL,RR	2		
23040A	23040-1164	LAMP-SIGNAL,FR	2		
23048	23048-1054	LENS-SIGNAL LAMP	4		
23051	23051-1165	BRACKET-SIGNAL LAMP	2		
23051A	23051-1189	BRACKET-SIGNAL LAMP,FR,LH	1		
23051B	23051-1190	BRACKET-SIGNAL LAMP,FR,RH	1		
92009	92009-1115	SCREW,TAPPING,3X16	8		
92009A	92009-1304	SCREW,TAPPING,4X20	4		
92015	92015-1367	NUT,FLANGED,6MM	4		
92022	92022-125	WASHER,6.5X20X1.6	2		
92022A	92022-1672	WASHER,SIGNAL LAMP	2		
92069	92069-055	BULB,12V 32CP(23W)	2		
92069A	92069-060	BULB,12V 32/3CP(23/8W)	2		
92075	92075-1698	DAMPER,SIGNAL LAMP	2		



CHASSIS ELECTRICAL EQUIPMENT

Ref #	Part #	Description	Qty	Spec Code	Price
26001	26001-1859	HARNESS,FRONT SIGNAL LAMP	1		
26001A	26001-1957	HARNESS,MAIN	1		
26006	26006-1067	FUSE,30A-G	1		
26006A	26006-1068	FUSE,10A-R	5		
26011	26011-1388	WIRE-LEAD,BATTERY(+)	1		
26011A	26011-1389	WIRE-LEAD,BATTERY(-)	1		
26012	26012-1219	BATTERY,12V 14AH,FB14L-A2	1		
26021	26021-1077	JUNCTION BOX	1		
27002	27002-1060	RELAY-ASSY,TURN SIGNAL	1		
27003	27003-1274	HORN	1		
27010	27010-1066	SWITCH,RESERV LIGHTING	1		
49016	49016-1125	COVER-SEAL,FUSE	1		
92037	92037-1069	CLAMP,WIRING HARNESS	1		
92037A	92037-1316	CLAMP,HARNESS	2		
92037B	92037-1727	CLAMP,HOSE	1		
92037C	92037-1794	CLAMP,TUBE	2		
92037D	92037-1816	CLAMP,HARNESS	1		
92037E	92037-1916	CLAMP,HARNESS	1		
92072	92072-1195	BAND,L=185	9		
92075	92075-1688	DAMPER,JUNCTION BOX	1		
130	130B0610	BOLT-FLANGED,6X10	2		
132	132J0610	BOLT-FLANGED-SMALL,6X10	2		
223	223B0610	SCREW-PAN-WS-CROS	1		
225	225B0620	SCREW-PAN-WSP-CROS	2		
703	703A08530	TUBE-RUBBER,8X12X530	1		

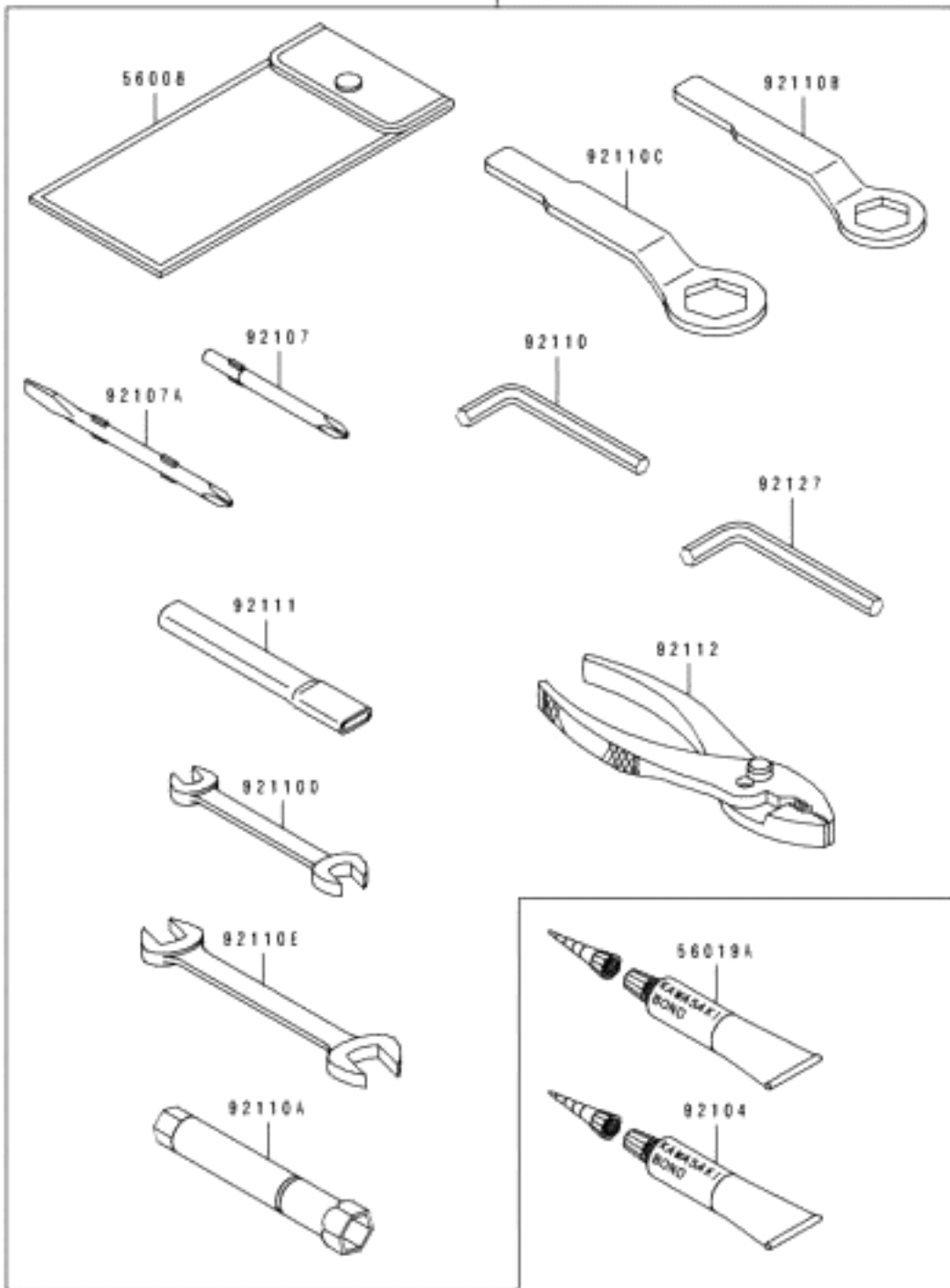


IGNITION SWITCH/LOCKS/REFIECTORS

Ref #	Part #	Description	Qty	Spec Code	Price
11043	11043-1423	BRACKET,FR,REFLECTOR	2		
21007	21007-5012	ROTOR,LOCK,TANK CAP	1		
27004	27004-5329	SWITCH-ASSY	1		
27005	27005-5074	SWITCH-ASSY-IGNITION	1		
27008	27008-1103	KEY-LOCK,BLANK	1	(OPTION)	
27010	27010-1019	SWITCH,REAR BRAKE	1		
27010A	27010-1185	SWITCH,BRAKE/SIDE STAND	1		
27011	27011-006	SPRING,BRAKE LAMP SWITCH	1		
27016	27016-5091	LOCK-ASSY,HELMET	2		
27016A	27016-5123	LOCK-ASSY,SEAT	1		
28012	28012-1003	REFLECTOR-REFLEX	2		
28012A	28012-1056	REFLECTOR-REFLEX,RR	2		
28012B	28012-1077	REFLECTOR-REFLEX	1		
32059	32059-1091	BRACKET-SWITCH,REAR BRAKE	1		
59071	59071-1103	JOINT	2		
92001	92001-1847	BOLT,6X14,BLACK	2		
92002	92002-1333	BOLT,TORX,6X16	2		
92009	92009-1305	SCREW,5X18	2		
92015	92015-1259	NUT,FLANGED,5MM	3		
130	130B0510	BOLT-FLANGED	2		
130A	130C0614	BOLT-FLANGED,6X14	1		
225	225C0416	SCREW-PAN-WSP-CROS	1		
311	311B0500	NUT-HEX	2		
411	411E0600	WASHER-PLAIN,6MM	2		
461	461F0500	WASHER-SPRING,5MM	2		

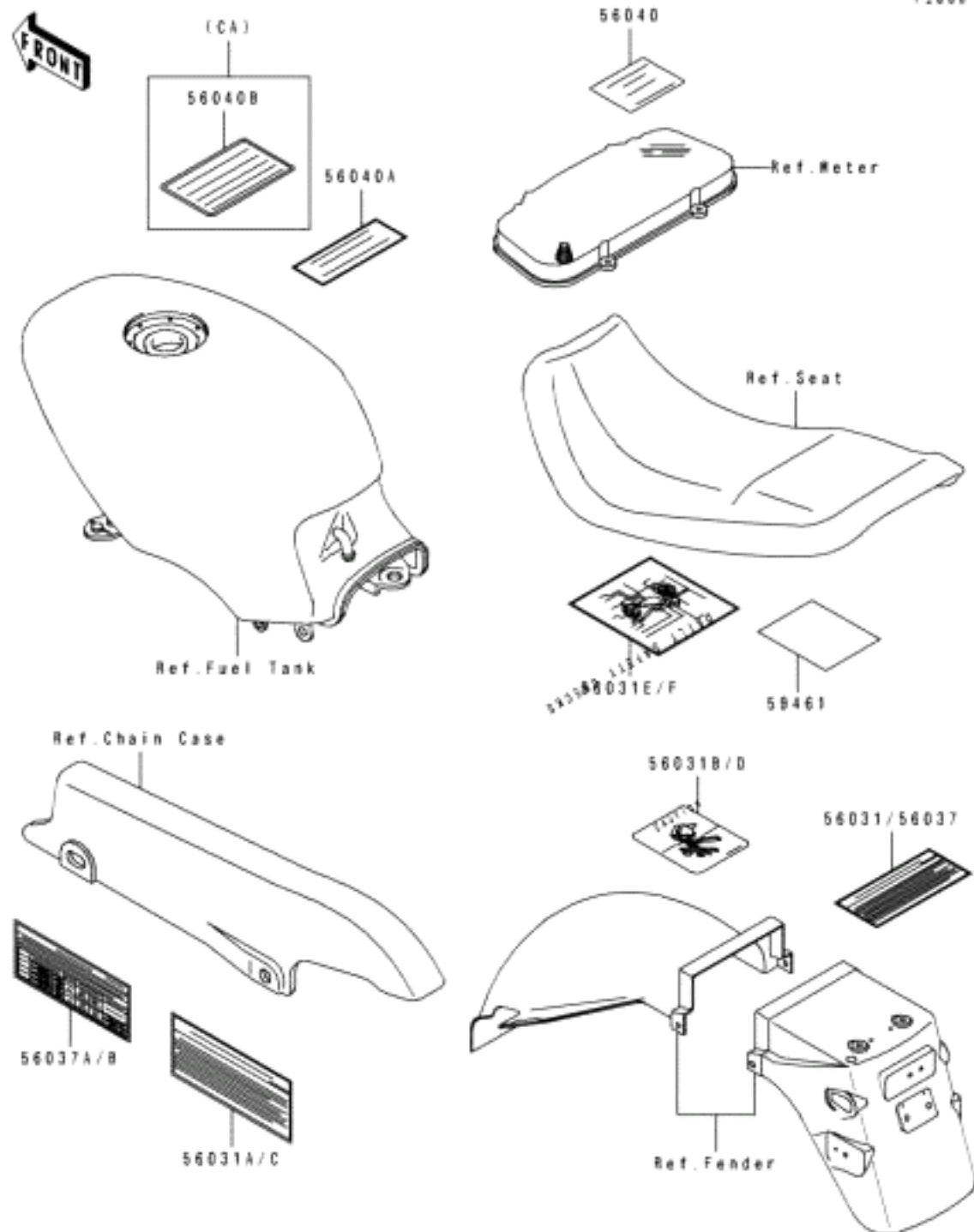
56007

12810



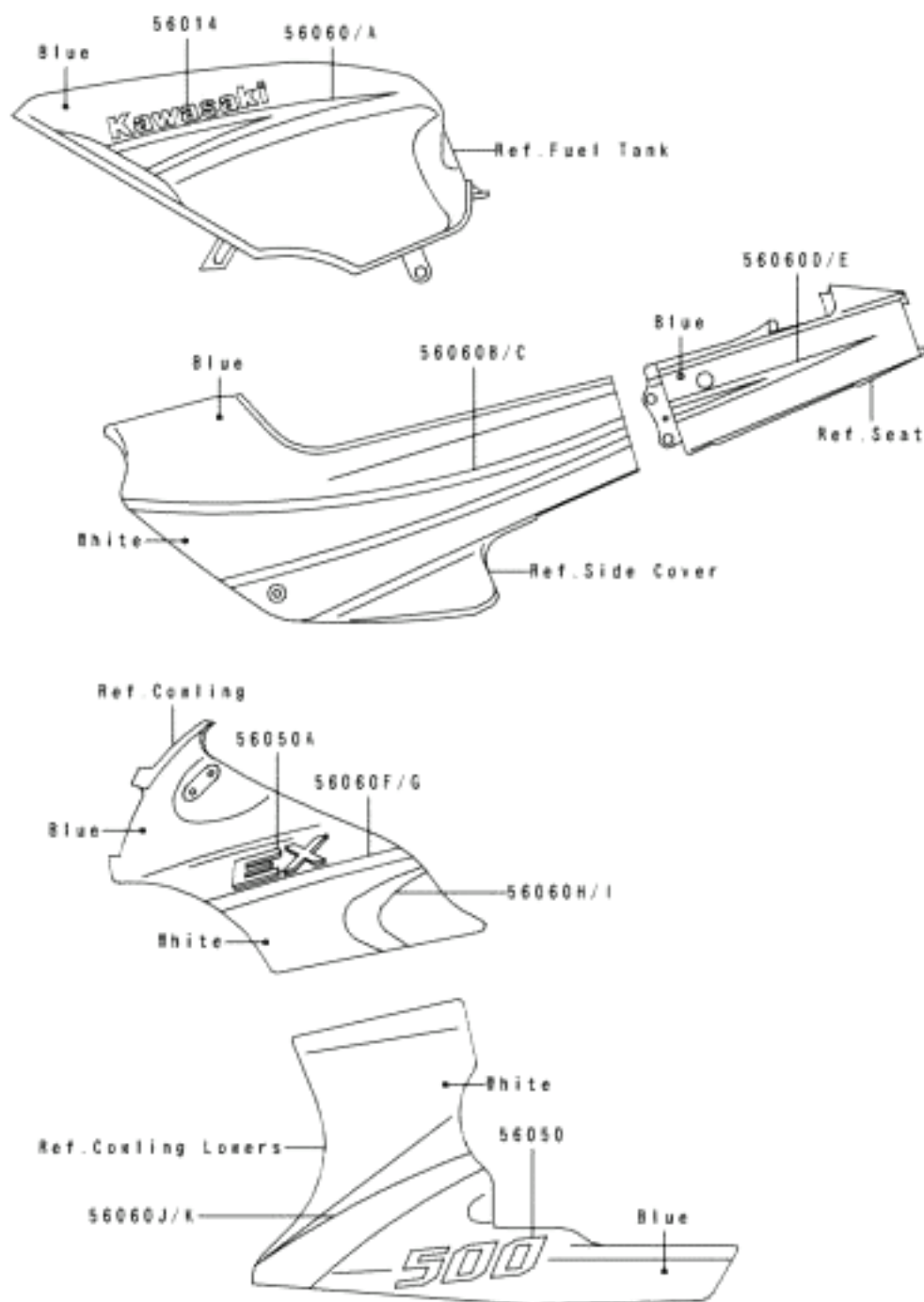
WNER'S TOOLS

Ref #	Part #	Description	Qty	Spec Code	Price
56007	56007-1317	TOOLKIT	1		
56008	56008-1019	BAG,TOOL	1		
56019A	56019-120	THREE BOND TB1211,HT/RS,WHITE	1		
92104	92104-002	GASKET-LIQUID,TUBE,100G,SILVER	1		
92107	92107-005	TOOL-DRIVER,#3PHILLIPS	1		
92107A	92107-1053	TOOL-DRIVER,#2PHILLIPS	1		
92110	92110-1015	TOOL-WRENCH,ALLEN,5MM	1		
92110A	92110-1110	TOOL-WRENCH,BOX,18MM	1		
92110B	92110-1150	TOOL-WRENCH,BOX END,24MM	1		
92110C	92110-1151	TOOL-WRENCH,BOX END,19MM	1		
92110D	92110-1152	TOOL-WRENCH,OPEN END,10X12	1		
92110E	92110-1153	TOOL-WRENCH,OPEN END,14X17	1		
92111	92111-1051	TOOL-BAR,BOX END WRENCH	1		
92112	92112-003	TOOL-PLIERS	1		
92127	92127-003	TOOL-WRENCH,ALLEN,6MM	1		



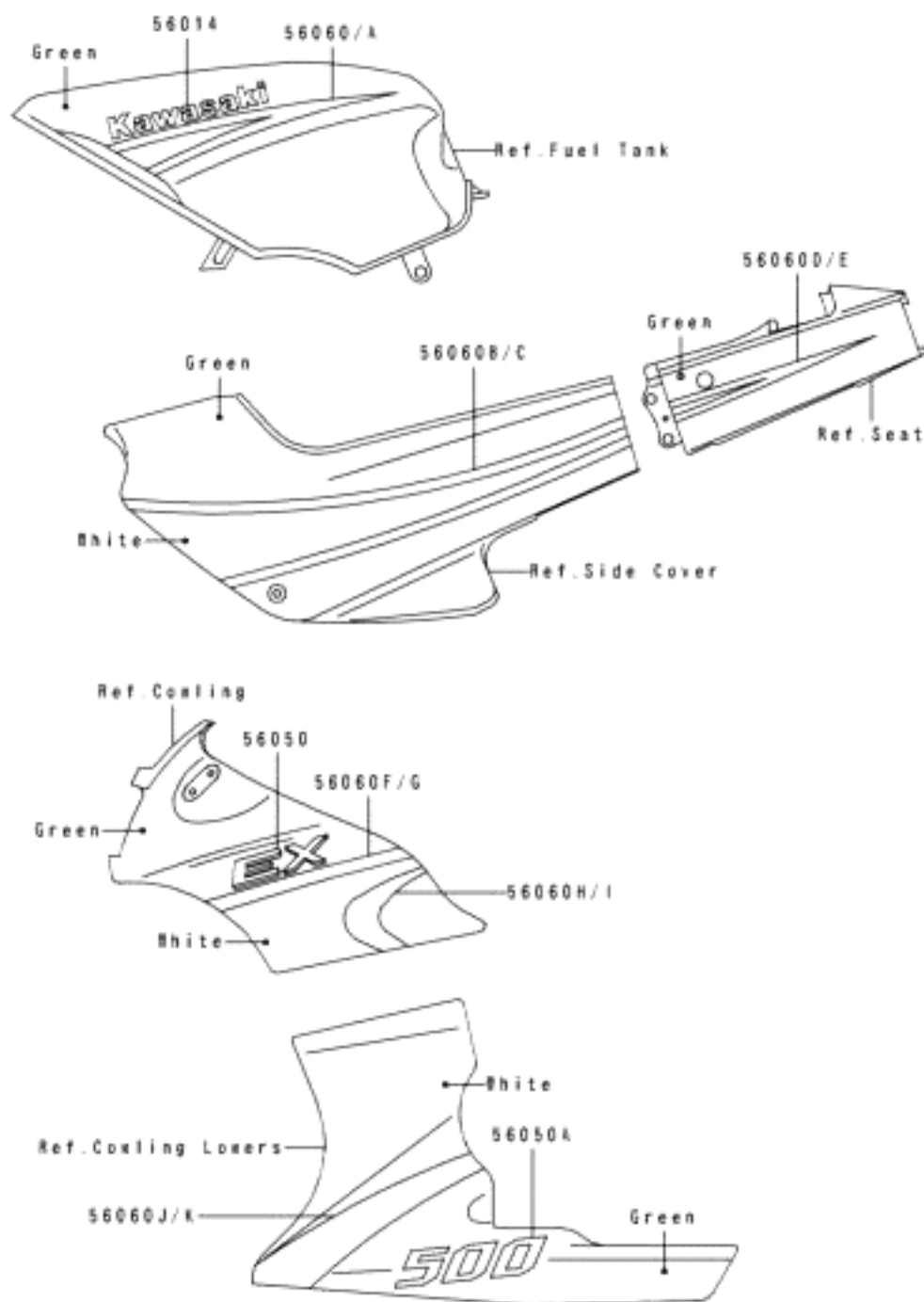
LABELS

Ref #	Part #	Description	Qty	Spec Code	Price
56031	56031-1309	LABEL-MANUAL,OIL&OIL FILTER	1	[CN]	
56031A	56031-1524	LABEL-MANUAL,CHAIN	1		
56031B	56031-1526	LABEL-MANUAL,BATTERY VENT	1		
56031C	56031-1528	LABEL-MANUAL,CHAIN	1	[CN]	
56031D	56031-1529	LABEL-MANUAL,BATTERY VENT	1	[CN]	
56031E	56031-1530	LABEL-MANUAL,DAILY SAFETY	1		
56031F	56031-1531	LABEL-MANUAL,DAILY SAFETY	1	[CN]	
56037	56037-1301	LABEL-SPECIFICATION,OIL FILTER	1		
56037A	56037-1367	LABEL-SPECIFICATION,TIRE&LOAD	1	[CA, US]	
56037B	56037-1490	LABEL-SPECIFICATION,TIRE&LOAD	1	[CN]	
56040	56040-1007	LABEL-WARNING,BREAK IN CAUTION	1	[CA, US]	
56040A	56040-1008	LABEL-WARNING,BREAK IN CAUTION	1	[CA, US]	
56040B	56040-1121	LABEL-WARNING,EVAPO	1	[CA]	
59461	59461-1528	LABEL-CERTIFICATION,EVAPO ROUT	1	[CA]	



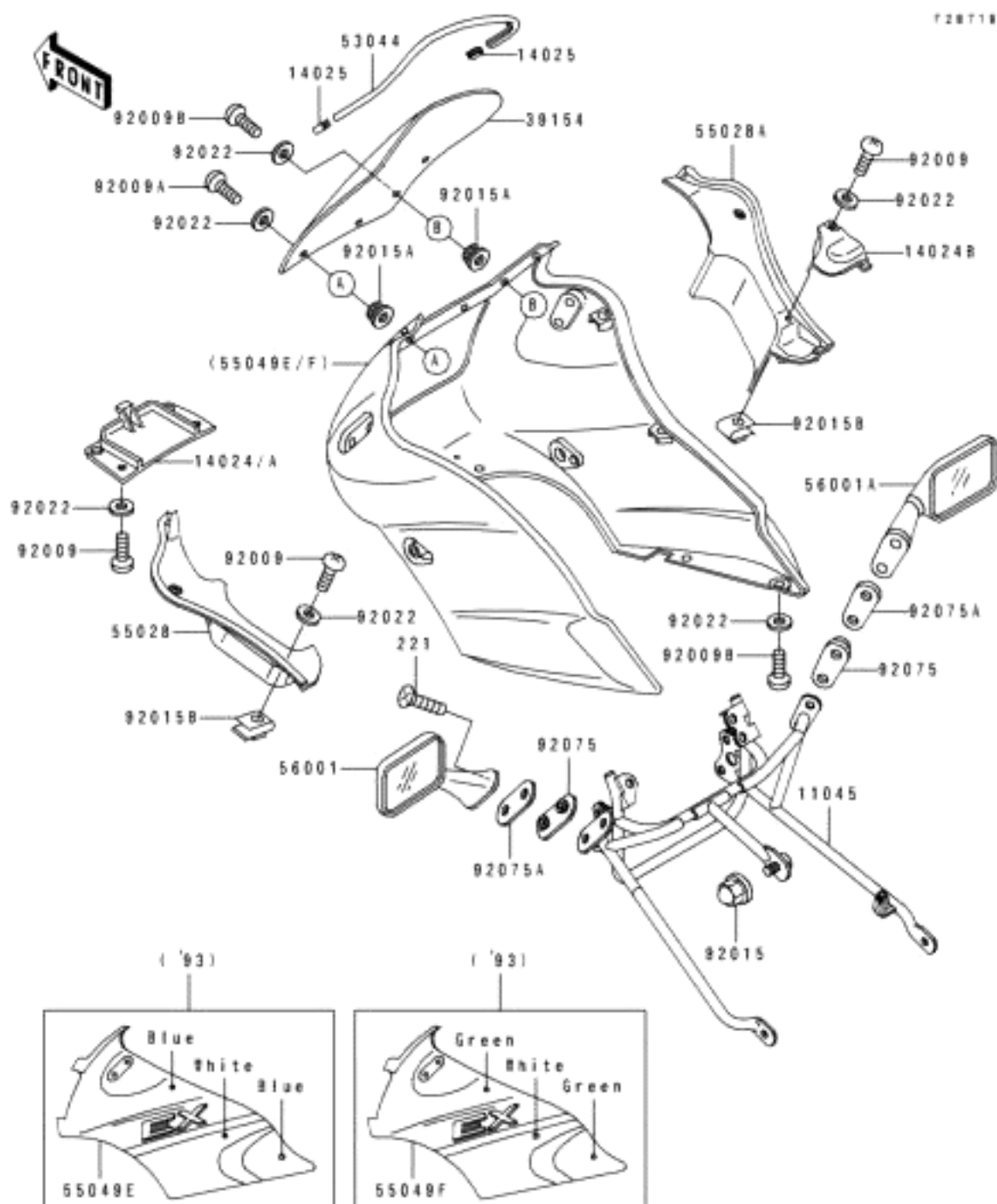
DECALS (EX500-A7)(BLUE/WHITE)

Ref #	Part #	Description	Qty	Spec Code	Price
56014	56014-1233	EMBLEM,FUEL TANK,KAWASAKI	2		
56050	56050-1769	MARK,500	2	(OPTION)	
56050A	56050-1866	MARK,EX	2		
56060	56060-1331	PATTERN,FUEL TANK,LH	1		
56060A	56060-1332	PATTERN,FUEL TANK,RH	1		
56060B	56060-1333	PATTERN,SIDE COVER,LH	1		
56060C	56060-1334	PATTERN,SIDE COVER,RH	1		
56060D	56060-1335	PATTERN,SEAT COVER,LH	1		
56060E	56060-1336	PATTERN,SEAT COVER,RH	1		
56060F	56060-1337	PATTERN,UPP COWLING,UPP,LH	1		
56060G	56060-1338	PATTERN,UPP COWLING,UPP,RH	1		
56060H	56060-1339	PATTERN,UPP COWLING,LWR,LH	1		
56060I	56060-1340	PATTERN,UPP COWLING,LWR,RH	1		
56060J	56060-1341	PATTERN,LWR COWLING,LH	1	(OPTION)	
56060K	56060-1342	PATTERN,LWR COWLING,RH	1	(OPTION)	



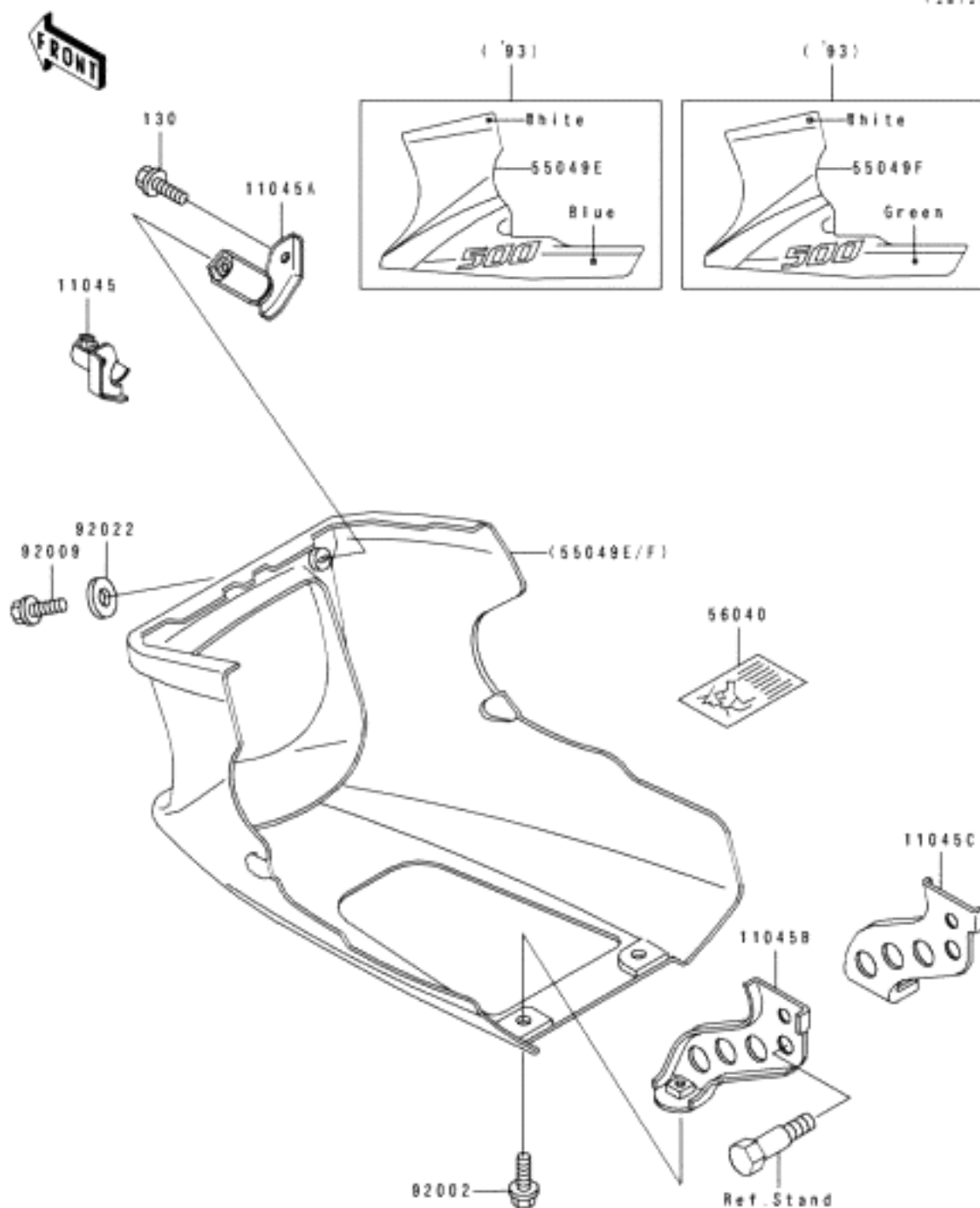
DECALS (EX500-A7)(GREEN/WHITE)

Ref #	Part #	Description	Qty	Spec Code	Price
56014	56014-1280	EMBLEM,FUEL TANK,KAWASAKI	2		
56050	56050-1867	MARK,EX	2		
56050A	56050-1868	MARK,500	2	(OPTION)	
56060	56060-1343	PATTERN,FUEL TANK,LH	1		
56060A	56060-1344	PATTERN,FUEL TANK,RH	1		
56060B	56060-1345	PATTERN,SIDE CVOER,LH	1		
56060C	56060-1346	PATTERN,SIDE COVER,RH	1		
56060D	56060-1347	PATTERN,SEAT COVER,LH	1		
56060E	56060-1348	PATTERN,SEAT COVER,RH	1		
56060F	56060-1349	PATTERN,UPP COWLING,UPP,LH	1		
56060G	56060-1350	PATTERN,UPP COWLING,UPP,RH	1		
56060H	56060-1351	PATTERN,UPP COWLING,LWR,LH	1		
56060I	56060-1352	PATTERN,UPP COWLING,LWR,RH	1		
56060J	56060-1353	PATTERN,LWR COWLING,LH	1	(OPTION)	
56060K	56060-1354	PATTERN,LWR COWLING,RH	1	(OPTION)	



COWLING (1/2)

Ref #	Part #	Description	Qty	Spec Code	Price
11045	11045-1816	BRACKET,COWLING	1		
14024	14024-1385-M4	COVER,UPPER COWLING,LWR,BLUE	1		
14024A	14024-1385-SM	COVER,UPPER COWLING,LWR,GREEN	1		
14024B	14024-1392	COVER,INNER COWLING,RH	1		
14025	14025-1756	COVER,TRIM END	2		
39154	39154-1100	WINDSHIELD	1		
53044	53044-1120	TRIM,WINDSHIELD	1		
55028	55028-1145	COWLING,INNER,LH	1		
55028A	55028-1146	COWLING,INNER,RH	1		
55049E	55049-5129-S3	COWLING.,UPP,BLUE/WHITE	1		
55049F	55049-5130-RX	COWLING.,UPP,GREEN/WHITE	1		
56001	56001-1248	MIRROR-ASSY,LH	1		
56001A	56001-1249	MIRROR-ASSY,RH	1		
92009	92009-1479	SCREW,TAPPING,5X15	6		
92009A	92009-1652	SCREW,5X12	2		
92009B	92009-1654	SCREW,5X16	6		
92015	92015-1174	NUT,CAP,8MM,BLACK	1		
92015A	92015-1343	NUT,5MM,COWLING	6		
92015B	92015-1638	NUT,5MM	4		
92022	92022-1521	WASHER,NYLON,5.3X11.5X1.5	14		
92075	92075-1492	DAMPER,MIRROR	2		
92075A	92075-1745	DAMPER,MIRROR	2		
221	221C0630	SCREW-CSK-CROS,6X30	4		



COWLING LOWERS (1/2)

Ref #	Part #	Description	Qty	Spec Code	Price
11045	11045-1571	BRACKET,LOWER COWLING,FR,LH	1	(OPTION)	
11045A	11045-1572	BRACKET,LOWER COWLING,FR,RH	1	(OPTION)	
11045B	11045-1573	BRACKET,LOWER COWLING,RR,LH	1	(OPTION)	
11045C	11045-1574	BRACKET,LOWER COWLING,RR,RH	1	(OPTION)	
55049E	55049-5131-S3	COWLING.,LWR,BLUE/WHITE	1		
55049F	55049-5132-RX	COWLING.,LWR,GREEN/WHITE	1		
56040	56040-1251	LABEL-WARNING,LOWER COWLING	1		
92002	92002-1188	BOLT,6X16	2	(OPTION)	
92009	92009-1287	SCREW,6X14,WHITE	2	(OPTION)	
92022	92022-1654	WASHER,6.5X16X1.0	2	(OPTION)	
130	130B0610	BOLT-FLANGED,6X10	2	(OPTION)	